



SERVICE MANUAL

Room Air Conditioner

Split Wall-Mounted Type



FSAI-Pro-92AE2 / FSOAI-Pro-92AE2
FSAI-Pro-122AE2 / FSOAI-Pro-122AE2

NOTE:

Before servicing the unit, please read this at first.

Always contact with your service center if meet problem.

FI_SM_FSAI-Pro-92-122AE2_150316

CONTENTS

1. Precaution	3
1.1 Safety Precaution.....	3
1.2 Warning	3
2. Function	7
3. Dimension	8
3.1 Indoor Unit.....	8
3.2 Outdoor Unit.....	9
4. Refrigerant Cycle Diagram	10
5. Wiring Diagram	11
5.1 Indoor Unit.....	11
5.2 Outdoor Unit.....	12
6 Installation Details	14
6.1 Wrench torque sheet for installation	14
6.2 Connecting the cables	14
6.3 Pipe length and the elevation	15
6.4 Installation for the first time	16
6.5 Adding the refrigerant after running the system for many years	19
6.6 Re-installation while the indoor unit need to be repaired	20
6.7 Re-installation while the outdoor unit need to be repaired	22
7. Operation Characteristics	24
8. Electronic function	25
8.1 Abbreviation	25
8.2 Display function.....	25
8.3 Main Protection	26
8.4 Operation Modes and Functions.....	38
9. Troubleshooting	46
9.1 Indoor Unit Error Display.....	46
9.2 Diagnosis and Solution	47

1. Precaution

1.1 Safety Precaution

- **To prevent injury to the user or other people and property damage, the following instructions must be followed.**

- **Incorrect operation due to ignoring instruction will cause harm or damage.**

- **Before service the unit, be sure to read this service manual at first.**

1.2 Warning

➤ Installation

- **Do not use a defective or underrated circuit breaker. Use this appliance on a dedicated circuit.**

There is risk of fire or electric shock.

- **For electrical work, contact the dealer, seller, a qualified electrician, or an authorized service center.**

Do not disassemble or repair the product, there is risk of fire or electric shock.

- **Always ground the product.**

There is risk of fire or electric shock.

- **Install the panel and the cover of control box securely.**

There is risk of fire of electric shock.

- **Always install a dedicated circuit and breaker.**

Improper wiring or installation may cause fire or electric shock.

- **Use the correctly rated breaker or fuse.**

There is risk of fire or electric shock.

- **Do not modify or extend the power cable.**

There is risk of fire or electric shock.

- **Do not install, remove, or reinstall the unit by yourself (customer).**

There is risk of fire, electric shock, explosion, or injury.

- **Be caution when unpacking and installing the product.**

Sharp edges could cause injury, be especially careful of the case edges and the fins on the

condenser and evaporator.

- **For installation, always contact the dealer or an authorized service center.**
- **Do not install the product on a defective installation stand.**
- **Be sure the installation area does not deteriorate with age.**

If the base collapses, the air conditioner could fall with it, causing property damage, product failure, and personal injury.

- **Do not let the air conditioner run for a long time when the humidity is very high and a door or a window is left open.**

- **Take care to ensure that power cable could not be pulled out or damaged during operation.**

There is risk of fire or electric shock.

- **Do not place anything on the power cable.**

There is risk of fire or electric shock.

- **Do not plug or unplug the power supply plug during operation.**

There is risk of fire or electric shock.

- **Do not touch (operation) the product with wet hands.**

- **Do not place a heater or other appliance near the power cable.**

There is risk of fire and electric shock.

- **Do not allow water to run into electrical parts.**

It may cause fire, failure of the product, or electric shock.

- **Do not store or use flammable gas or combustible near the product.**

There is risk of fire or failure of product.

- **Do not use the product in a tightly closed space for a long time.**

Oxygen deficiency could occur.

- **When flammable gas leaks, turn off the gas and open a window for ventilation before turn the product on.**

- **If strange sounds or smoke comes from product, turn the breaker off or disconnect the power supply cable.**

There is risk of electric shock or fire.

- **Stop operation and close the window in storm or hurricane. If possible, remove the product from the window before the hurricane arrives.**

There is risk of property damage, failure of product, or electric shock.

- **Do not open the inlet grill of the product during operation. (Do not touch the electrostatic filter, if the unit is so equipped.)**

There is risk of physical injury, electric shock, or product failure.

- **When the product is soaked, contact an authorized service center.**

There is risk of fire or electric shock.

- **Be caution that water could not enter the product.**

There is risk of fire, electric shock, or product damage.

- **Ventilate the product from time to time when operating it together with a stove etc.**

There is risk of fire or electric shock.

- **Turn the main power off when cleaning or maintaining the product.**

There is risk of electric shock.

- **When the product is not be used for a long time, disconnect the power supply plug or turn off the breaker.**

There is risk of product damage or failure, or unintended operation.

- **Take care to ensure that nobody could step on or fall onto the outdoor unit.**

This could result in personal injury and product damage.

➤ CAUTION

- **Always check for gas (refrigerant) leakage after installation or repair of product.**

Low refrigerant levels may cause failure of product.

- **Install the drain hose to ensure that water is drained away properly.**

A bad connection may cause water leakage.

- **Keep level even when installing the product.**

It can avoid vibration of water leakage.

- **Do not install the product where the noise or hot air from the outdoor unit could damage the neighborhoods.**

It may cause a problem for your neighbors.

- **Use two or more people to lift and transport the product.**

- **Do not install the product where it will be exposed to sea wind (salt spray) directly.**

It may cause corrosion on the product. Corrosion, particularly on the condenser and evaporator fins,

could cause product malfunction or inefficient operation.

➤ **Operational**

- **Do not expose the skin directly to cool air for long time. (Do not sit in the draft).**
- **Do not use the product for special purposes, such as preserving foods, works of art etc.**

It is a consumer air conditioner, not a precision refrigerant system.

There is risk of damage or loss of property.

- **Do not block the inlet or outlet of air flow.**
- **Use a soft cloth to clean. Do not use harsh detergents, solvents, etc.**

There is risk of fire, electric shock, or damage to the plastic parts of the product.

■ **Do not touch the metal parts of the product when removing the air filter. They are very sharp.**

- **Do not step on or put anything on the product. (outdoor units)**
- **Always insert the filter securely. Clean the filter every two weeks or more often if**

necessary.

A dirty filter reduces the efficiency of the air conditioner and could cause product malfunction or damage.

■ **Do not insert hands or other objects through air inlet or outlet while the product is operated.**

- **Do not drink the water drained from the product.**
- **Use a firm stool or ladder when cleaning or maintaining the product.**

Be careful and avoid personal injury.

■ **Replace the all batteries in the remote control with new ones of the same type. Do not mix old and new batteries or different types of batteries.**

There is risk of fire or explosion.

- **Do not recharge or disassemble the batteries. Do not dispose of batteries in a fire.**

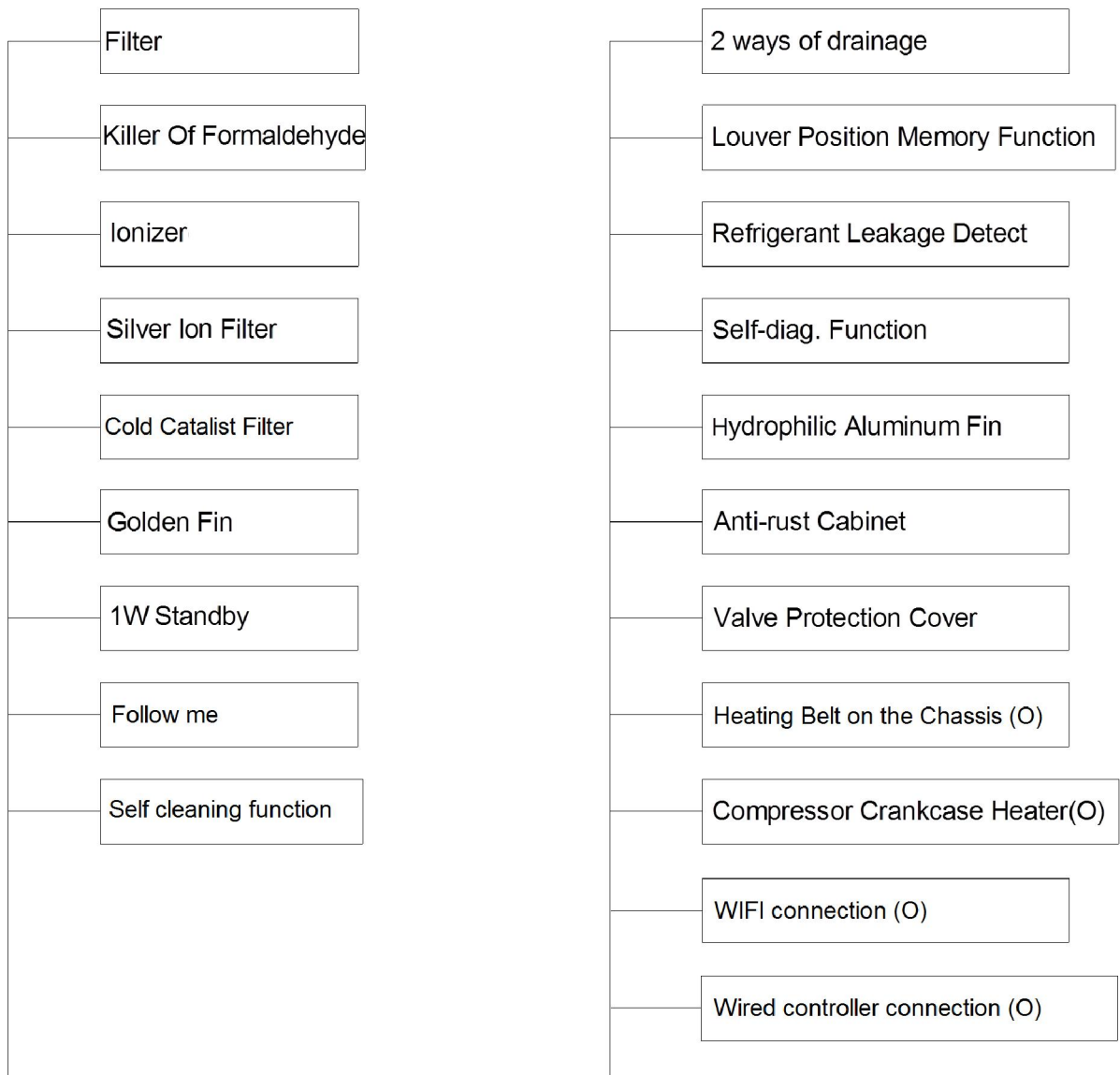
They may burn or explode.

■ **If the liquid from the batteries gets onto your skin or clothes, wash it well with clean water. Do not use the remote if the batteries have leaked.**

2. Function

Model Names of Indoor/Outdoor Units

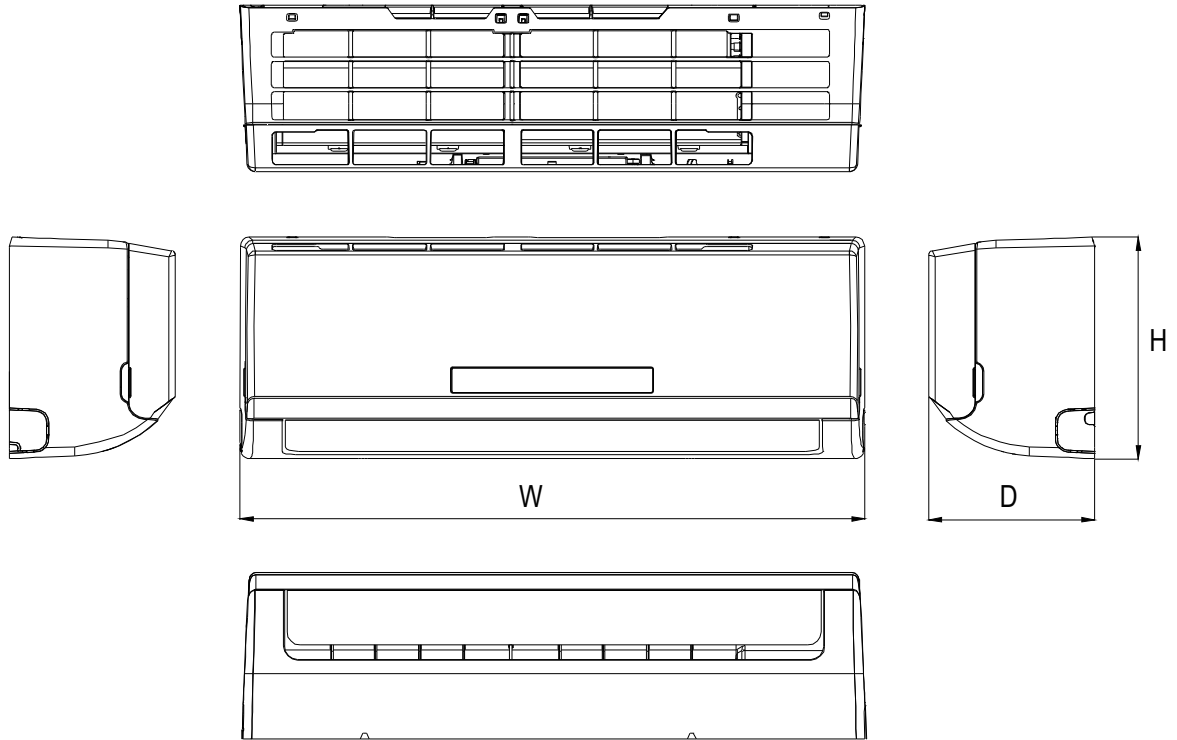
	Capacity	Indoor units	Outdoor units
DC Inverter	9k	FSAI-Pro-92AE2	FSOAI-Pro-92AE2
	12k	FSAI-Pro-122AE2	FSOAI-Pro-122AE2



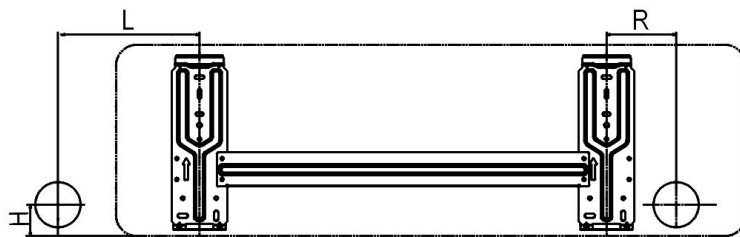
O: optional function

3. Dimension

3.1 Indoor Unit

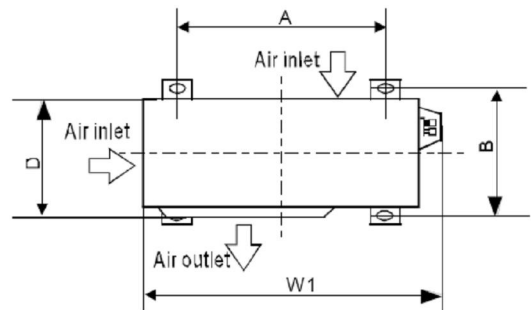
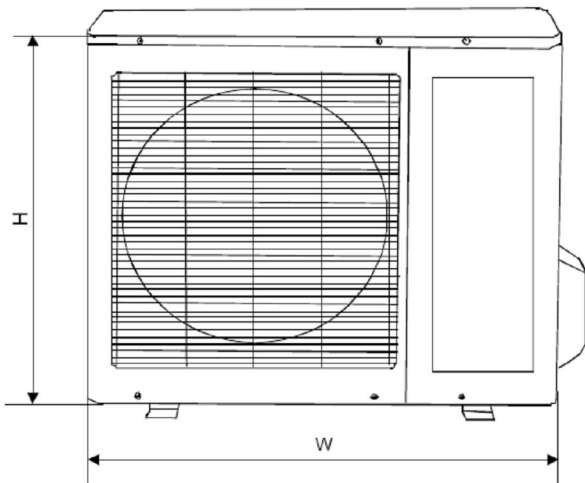
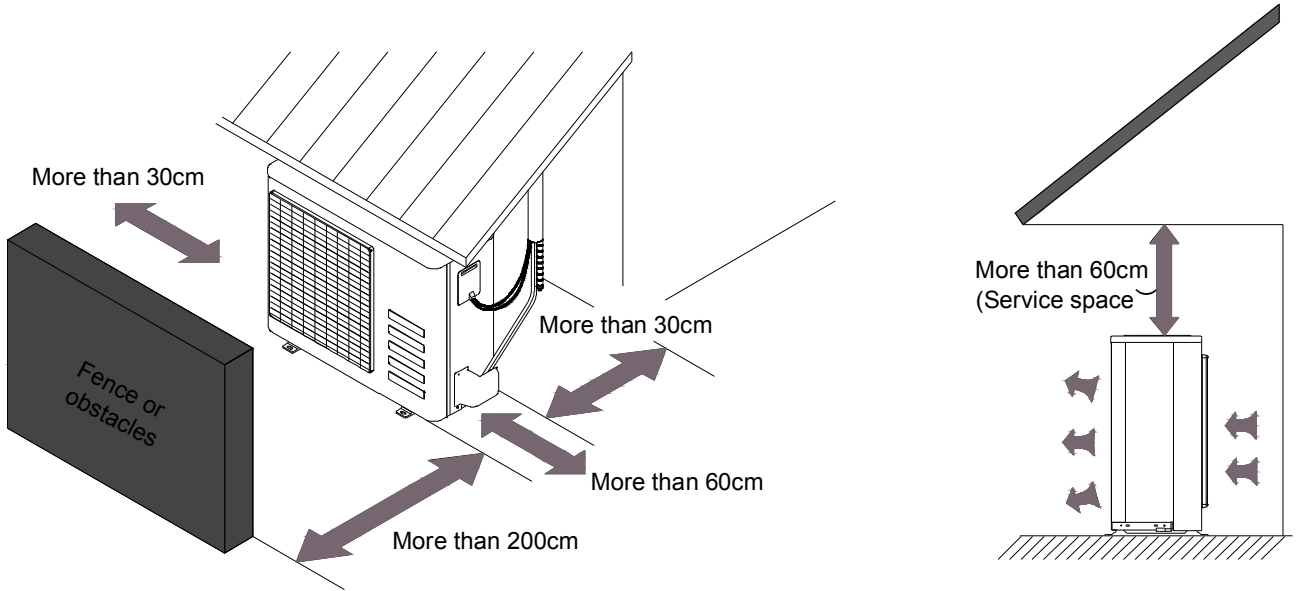


Model	W	D	H
FSAI-Pro-92AE2	800	188	275
FSAI-Pro-122AE2	800	188	275



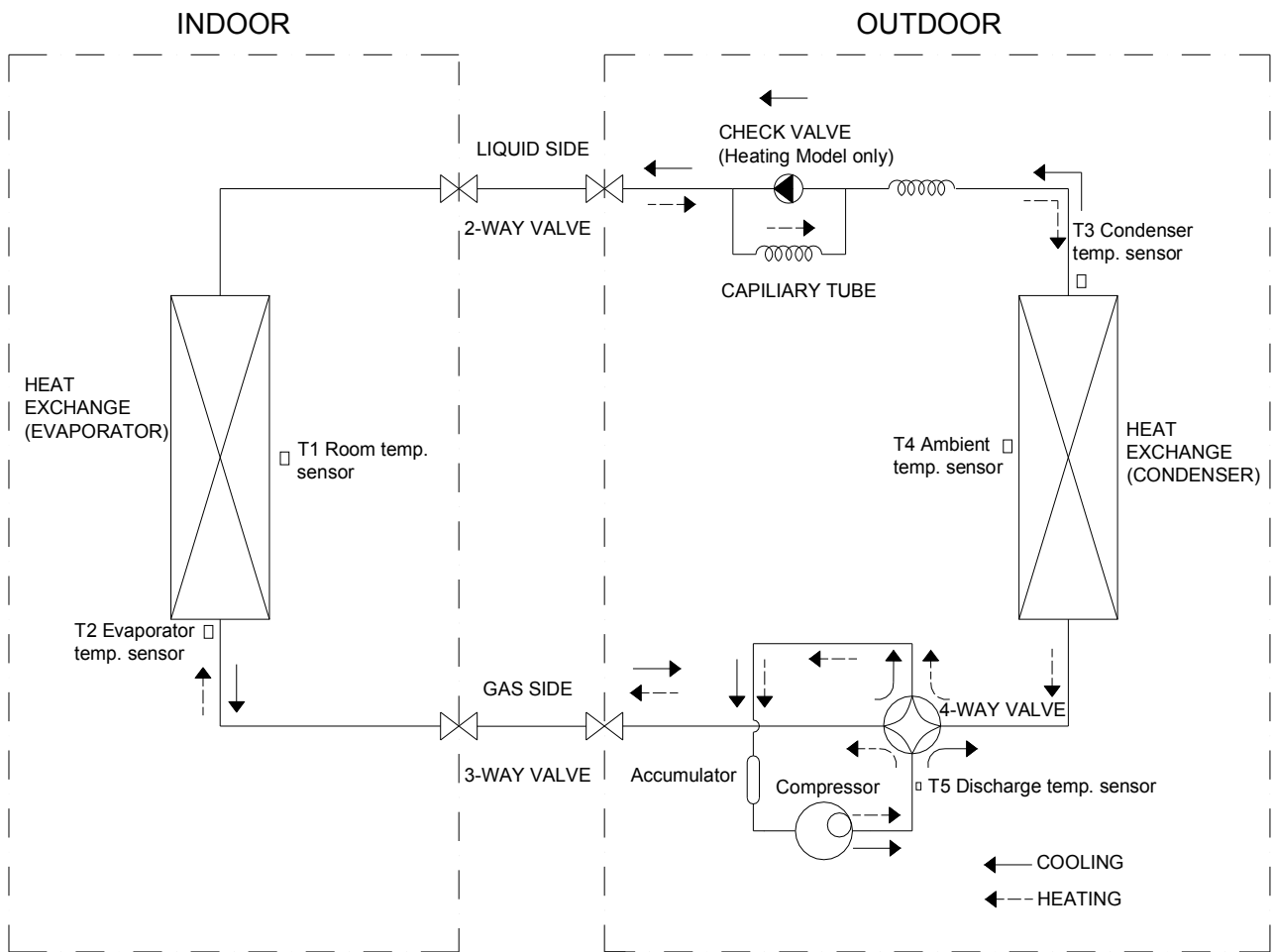
Model	L(mm)	R(mm)	H(mm)	Dimension of installation hole(mm)
FSAI-Pro-92AE2	100	95	45	∅ 65
FSAI-Pro-122AE2				

3.2 Outdoor Unit



Model	W	D	H	W1	A	B
FSOAI-Pro-92AE2	780	250	540	843	549	276
FSOAI-Pro-122AE2	780	250	540	843	549	276

4. Refrigerant Cycle Diagram

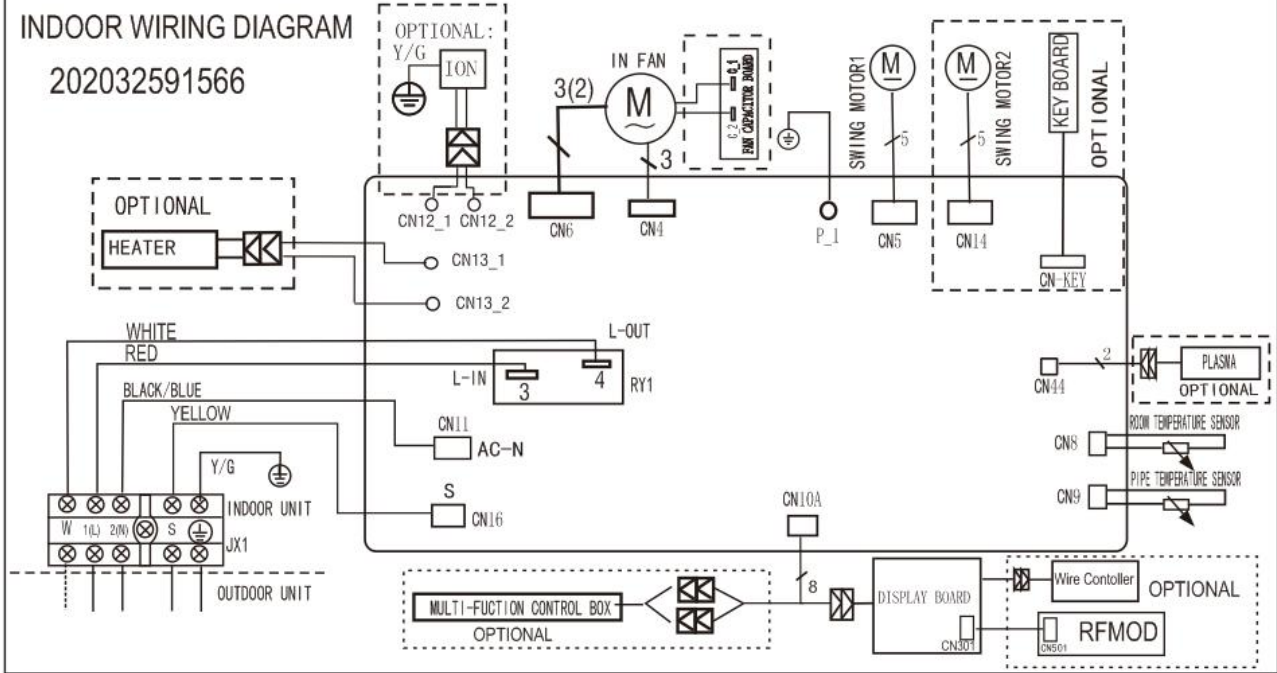


5. Wiring Diagram

5.1 Indoor Unit

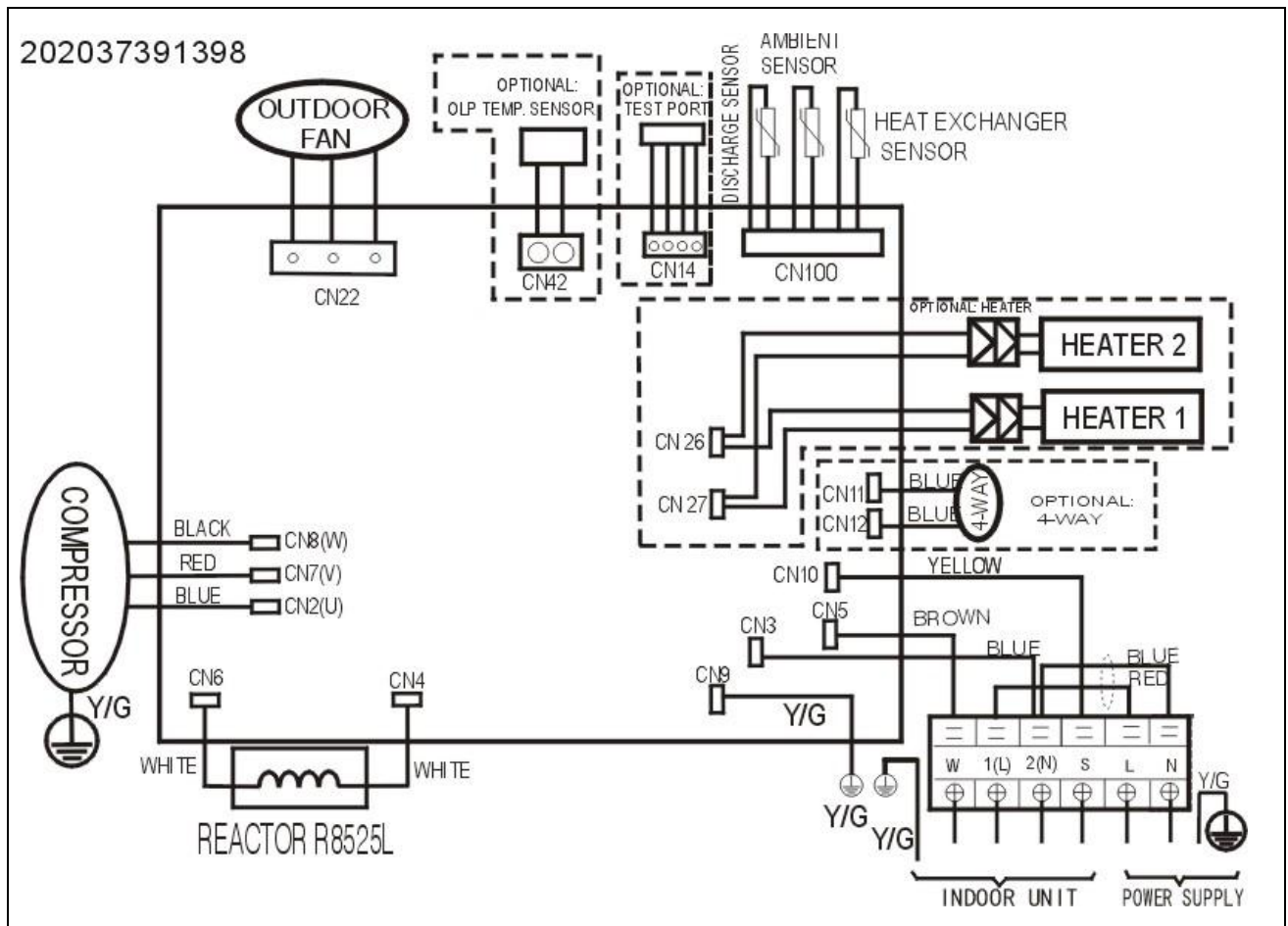
FSAI-Pro-92AE2, FSAI-Pro-122AE2,

NOTE: If used as MONO unit, for the standby control needs, the cross section area of cable connected to W,1(L), 2(N) must be sufficient for the maximum system current. The maximum system current is equal to the sum of indoor unit and outdoor unit rated current. If used as MULTI unit, W on the terminal block does not need to be connected.

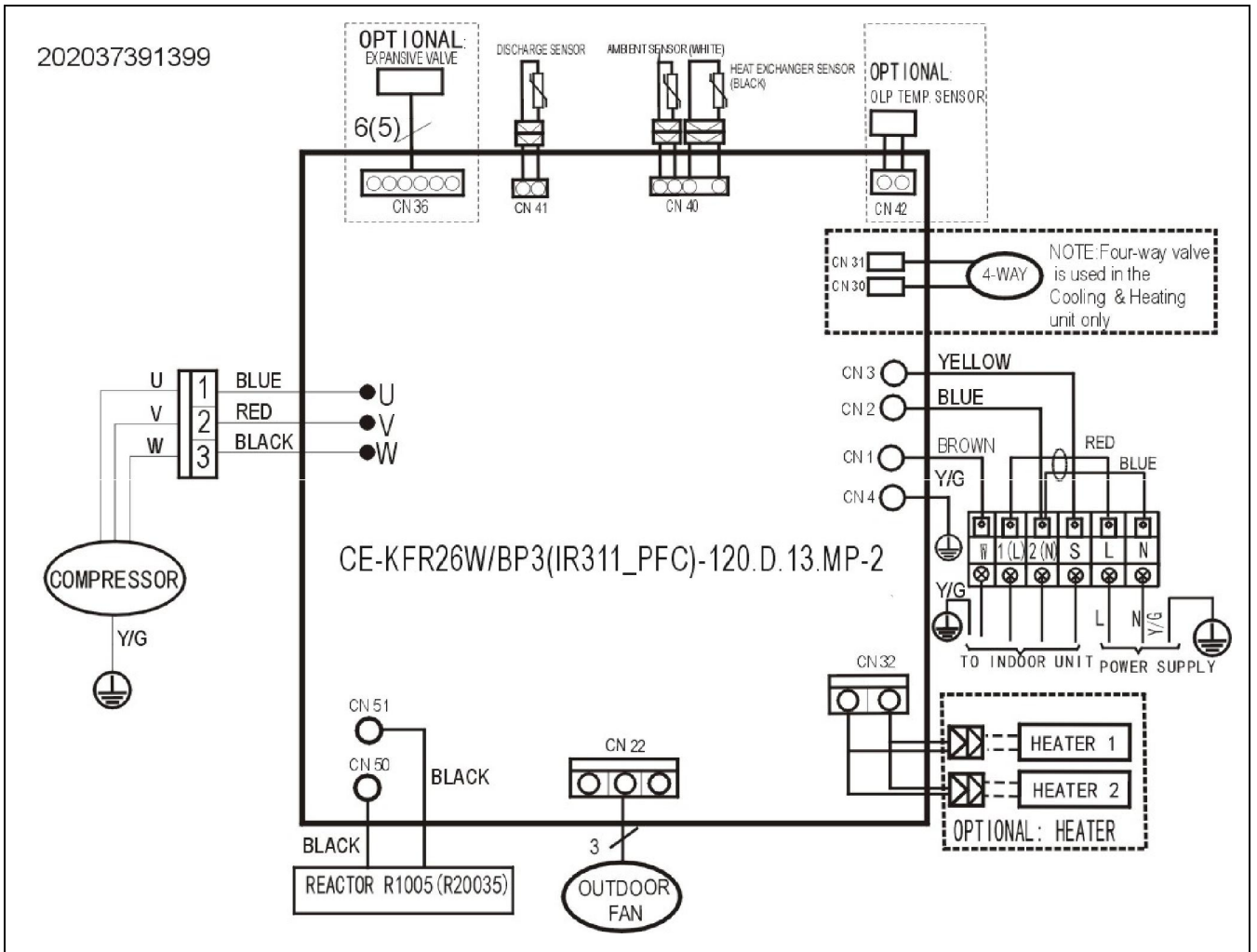


5.2 Outdoor Unit

FSOAI-Pro-92AE2



FSOAI-Pro-122AE2



6 Installation Details

6.1 Wrench torque sheet for installation

Outside diameter		Torque	Additional tightening torque
mm	inch	N.cm	N.cm
Φ6.35	1/4	1500(153kgf.cm)	1600(163kgf.cm)
Φ9.52	3/8	2500(255kgf.cm)	2600(265kgf.cm)
Φ12.7	1/2	3500(357kgf.cm)	3600(367kgf.cm)
Φ15.9	5/8	4500(459kgf.cm)	4700(479kgf.cm)

6.2 Connecting the cables

The power cord of connect should be selected according to the following specifications sheet.

Rated capacity kBTU/h	Nominal cross-sectional area (mm ²)
9k	2,5
12k	2,5

The cable size and the current of the fuse please chose according to the local rules..

6.3 Pipe length and the elevation

The pipe length and refrigerant amount:

Model	Pipe size		Standard length (m)	Max. Elevation B (m)	Max. Length A (m)	Additional refrigerant (g/m)
	Gas	Liquid				
FSAI-Pro-92AE2	3/8" (Φ9.52)	1/4" (Φ6.35)	5	10	25	20
FSAI-Pro-122AE2			5	10	25	20

Caution:

The capacity test is based on the standard length and the maximum permissive length is based on the system reliability.

The oil trap should be installed per 5-7 meters.

6.4 Installation for the first time

Air and moisture in the refrigerant system have undesirable effects as below:

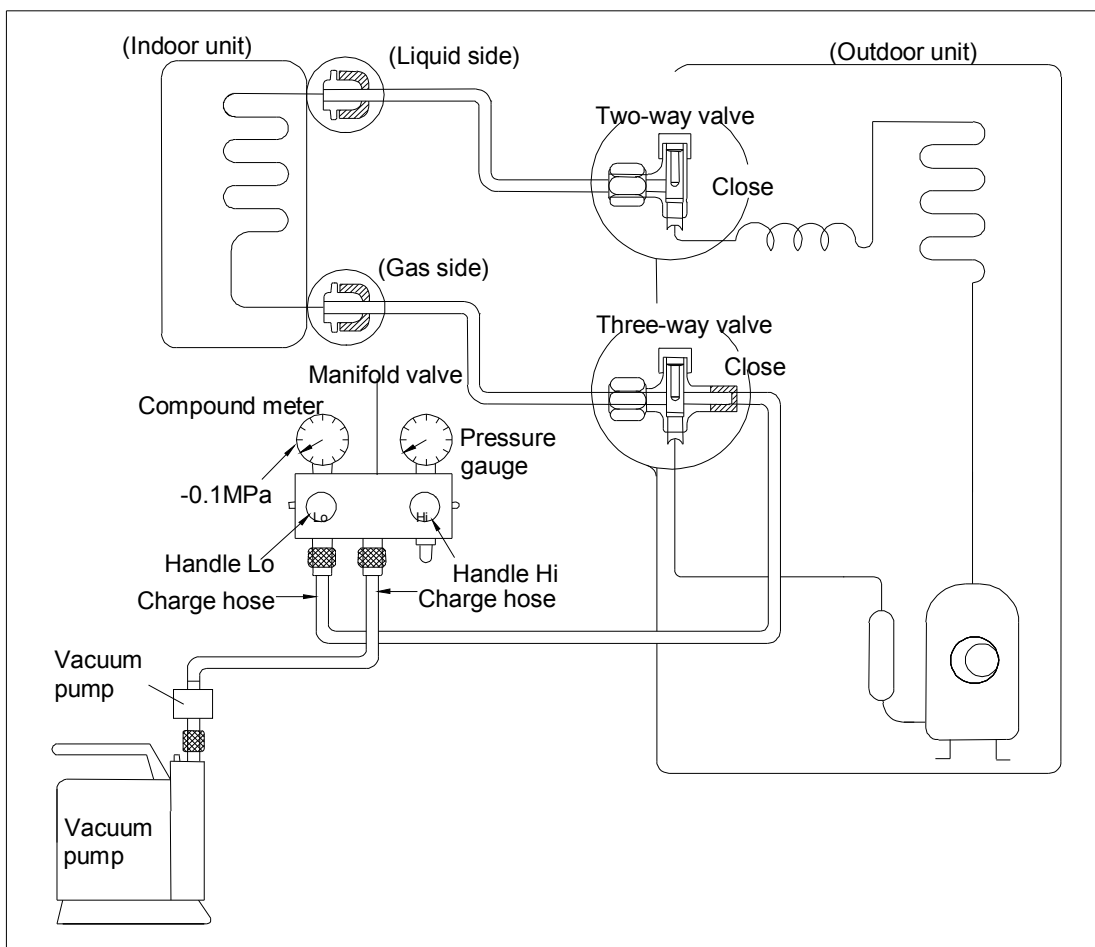
- Pressure in the system rises.
- Operating current rises.
- Cooling or heating efficiency drops.
- Moisture in the refrigerant circuit may freeze and block capillary tubing.
- Water may lead to corrosion of parts in the refrigerant system.

Therefore, the indoor units and the pipes between indoor and outdoor units must be leak tested and evacuated to remove gas and moisture from the system.

Gas leak check (Soap water method):

Apply soap water or a liquid neutral detergent on the indoor unit connections or outdoor unit connections by a soft brush to check for leakage of the connecting points of the piping. If bubbles come out, the pipes have leakage.

1. Air purging with vacuum pump



- 1) Completely tighten the flare nuts of the indoor and outdoor units, confirm that both the 2-way and 3-way valves are set to the closed position.
- 2) Connect the charge hose with the push pin of handle lo to the 3-way valves gas service port..
- 3) Connect the charge hose of handle hi connection to the vacuum pump.
- 4) Fully open the handle Lo of the manifold valve.
- 5) Operate the vacuum pump to evacuate.
- 6) Make evacuation for 30 minutes and check whether the compound meter indicates -0.1Mpa. If

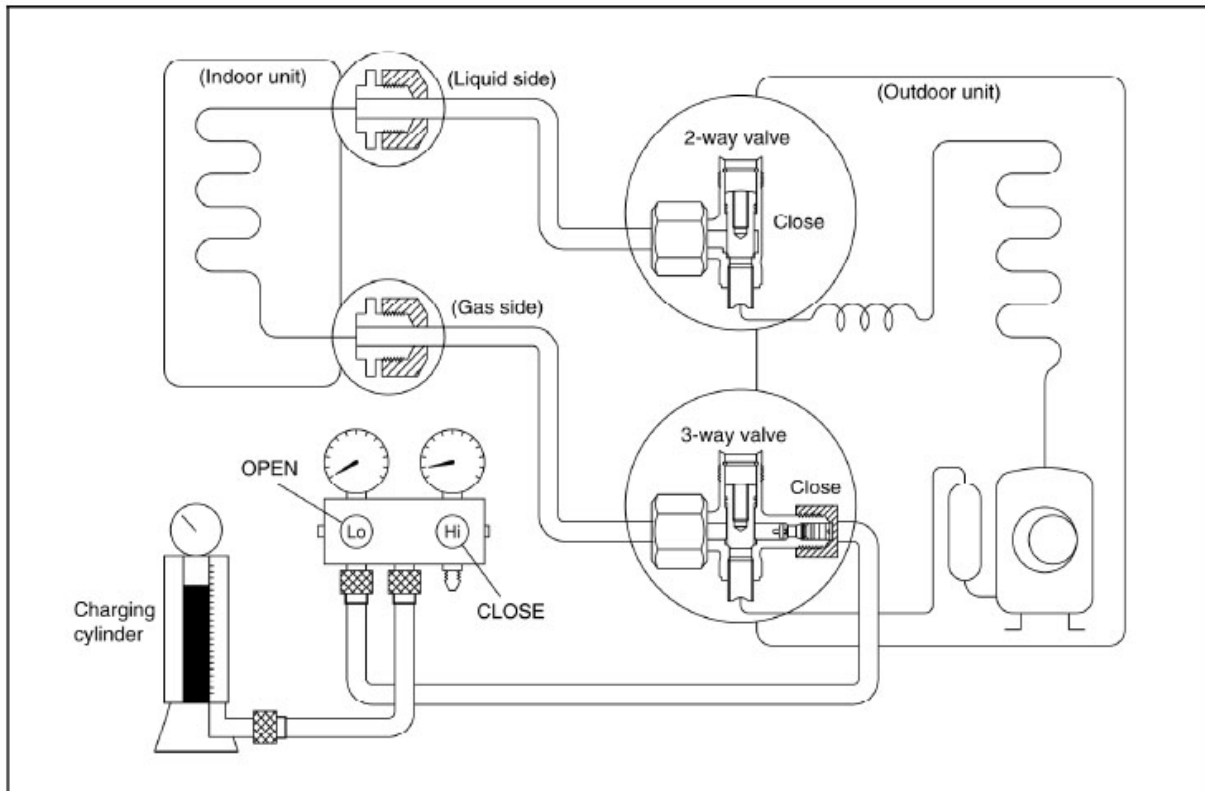
the meter does not indicate -0.1Mpa after pumping 30 minutes, it should be pumped 20 minutes more. If the pressure can't achieve -0.1Mpa after pumping 50 minutes, please check if there are some leakage points.

Fully close the handle Lo valve of the manifold valve and stop the operation of the vacuum pump. Confirm that the gauge needle does not move (approximately 5 minutes after turning off the vacuum pump).

7) Turn the flare nut of the 3-way valves about 45° counterclockwise for 6 or 7seconds after the gas coming out, then tighten the flare nut again. Make sure the pressure display in the pressure indicator is a little higher than the atmosphere pressure. Then remove the charge hose from the 3 way valve.

8) Fully open the 2 way valve and 3 way valve and securely tighten the cap of the 3 way valve.

2. Air purging by refrigerant



Procedure:

1). Confirm that both the 2-way and 3-way valves are set to the closed position.

2). Connect the charge set and a charging cylinder to the service port of the 3-way valve.

3). Air purging.

Open the valves on the charging cylinder and the charge set. Purge the air by loosening the flare nut on the 2-way valve approximately 45° for 3 seconds then closing it for 1 minute; repeat 3 times.

After purging the air, use a torque wrench to tighten the flare nut on the 2-way valve.

4). Check the gas leakage.

Check the flare connections for gas leakage.

5). Discharge the refrigerant.

Close the valve on the charging cylinder and discharge the refrigerant by loosening the flare nut on the 2-way valve approximately 45° until the gauge indicates 0.3 to 0.5 Mpa.

6). Disconnect the charge set and the charging cylinder, and set the 2-way and 3-way valves to the open position.

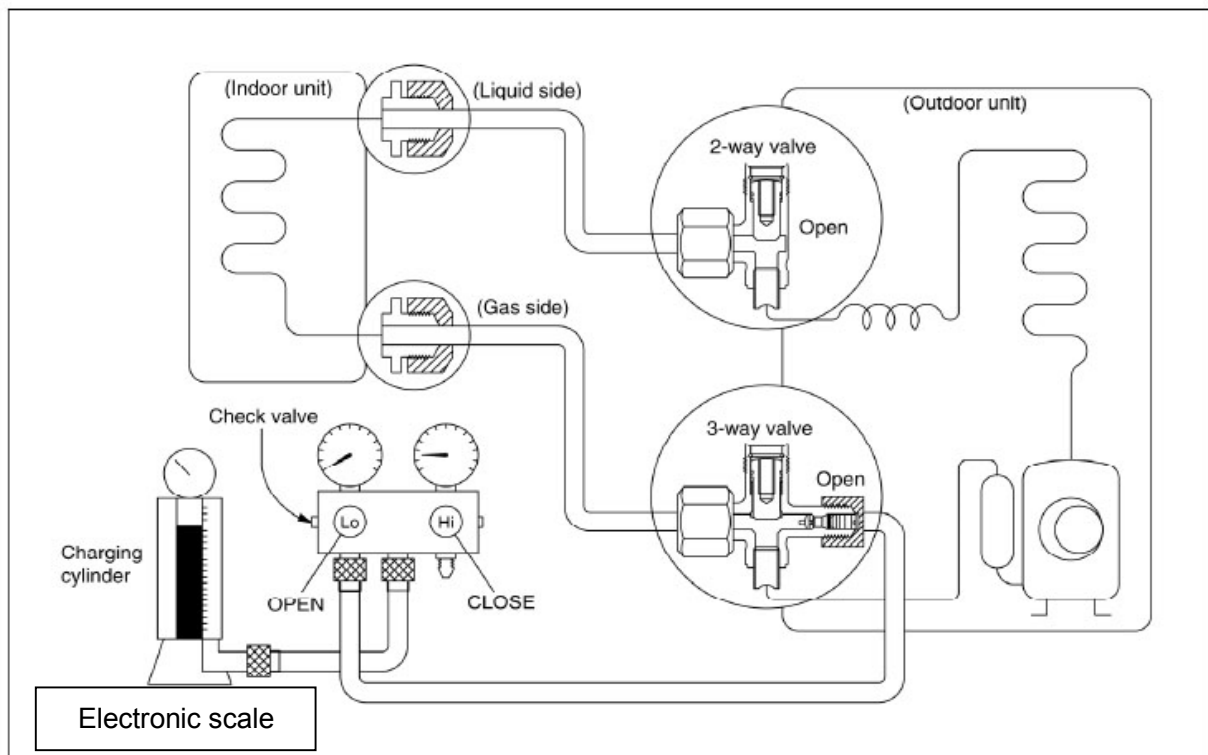
Be sure to use a hexagonal wrench to operate the valve stems.

7). Mount the valve stems nuts and the service port cap.

Be sure to use a torque wrench to tighten the service port cap to a torque 18N·m.

Be sure to check the gas leakage.

3. Adding the refrigerant if the pipe length >5m



Procedure:

1). Connect the charge hose to the charging cylinder, open the 2-way valve and the 3-way valve.

Connect the charge hose which you disconnected from the vacuum pump to the valve at the bottom of the cylinder. If the refrigerant is R410A, make the cylinder bottom up to ensure the liquid charge.

2). Purge the air from the charge hose.

Open the valve at the bottom of the cylinder and press the check valve on the charge set to purge the air (be careful of the liquid refrigerant).

3) Put the charging cylinder onto the electronic scale and record the weight.

4) Operate the air conditioner at the cooling mode.

5) Open the valves (Low side) on the charge set and charge the system with liquid refrigerant.

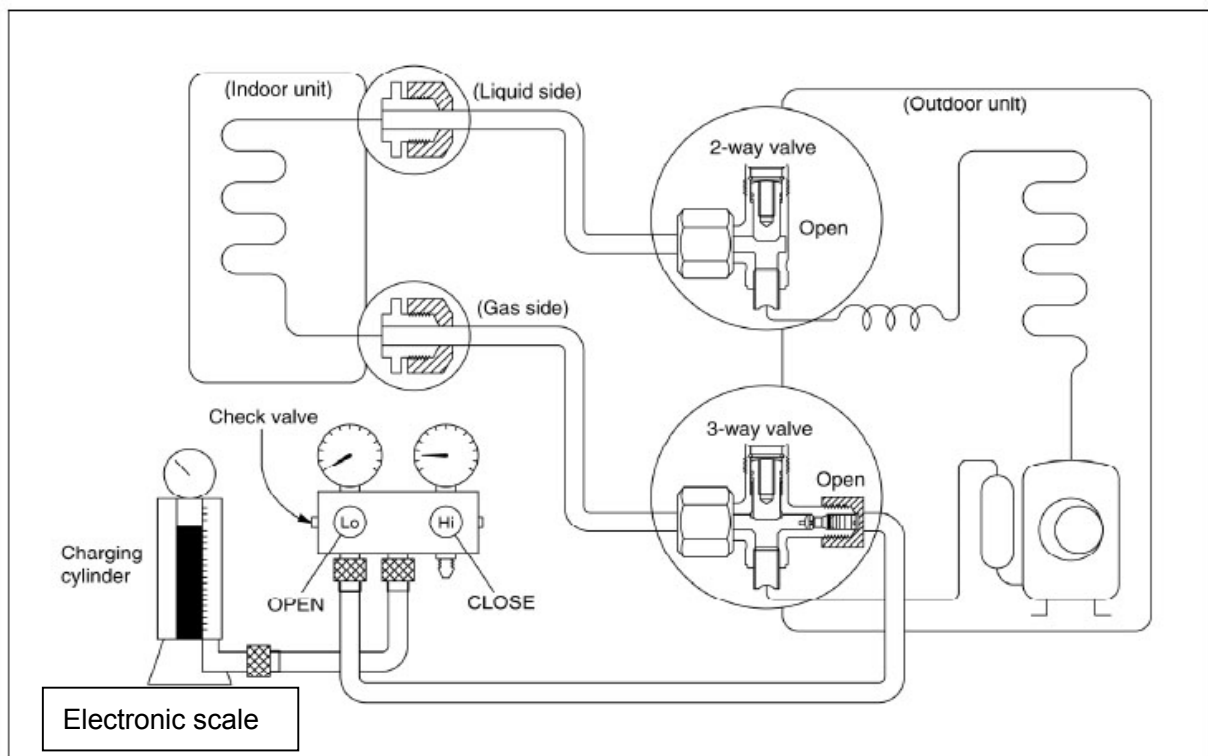
6).When the electronic scale displays the proper weight (refer to the table), disconnect the charge hose from the 3-way valve's service port immediately and turn off the air conditioner before disconnecting the hose.

7). Mount the valve stem caps and the service port

Use torque wrench to tighten the service port cap to a torque of 18N.m.

Be sure to check for gas leakage.

6.5 Adding the refrigerant after running the system for many years



Procedure:

1). Connect the charge hose to the 3-way service port, open the 2-way valve and the 3-way valve.

Connect the charge hose to the valve at the bottom of the cylinder. If the refrigerant is R410A, make the cylinder bottom up to ensure liquid charge.

2). Purge the air from the charge hose.

Open the valve at the bottom of the cylinder and press the check valve on the charge set to purge the air (be careful of the liquid refrigerant).

3) Put the charging cylinder onto the electronic scale and record the weight.

4) Operate the air conditioner at the cooling mode.

5) Open the valves (Low side) on the charge set and charge the system with liquid refrigerant.

6).When the electronic scale displays the proper weight (refer to the gauge and the pressure of the low side), disconnect the charge hose from the 3-way valve's service port immediately and turn off the air conditioner before disconnecting the hose.

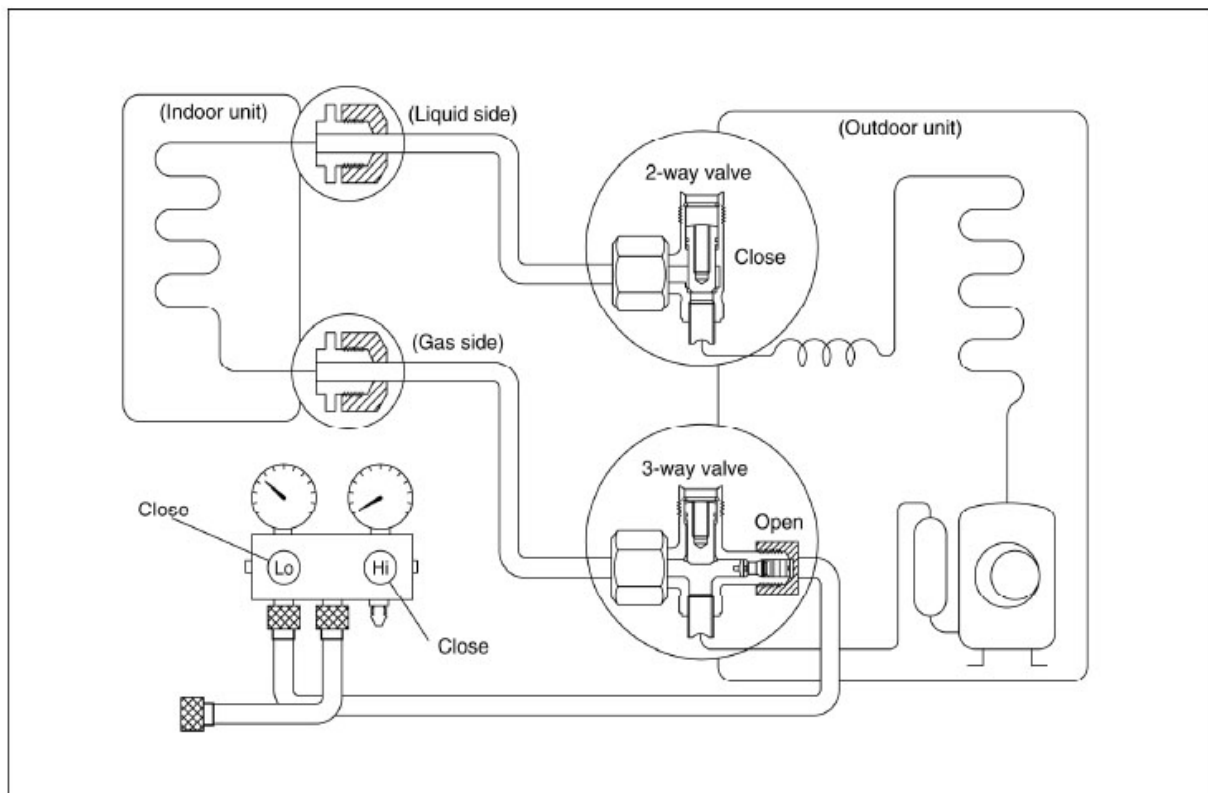
7). Mount the valve stem caps and the service port

Use torque wrench to tighten the service port cap to a torque of 18N.m.

Be sure to check for gas leakage.

6.6 Re-installation while the indoor unit need to be repaired

1. Collecting the refrigerant into the outdoor unit



Procedure

1). Confirm that both the 2-way and 3-way valves are set to the opened position

Remove the valve stem caps and confirm that the valve stems are in the opened position.

Be sure to use a hexagonal wrench to operate the valve stems.

2). Connect the charge hose with the push pin of handle lo to the 3-way valves gas service port.

3). Air purging of the charge hose.

Open the handle Lo valve of the manifold valve slightly to purge air from the charge hose for 5 seconds and then close it quickly.

4). Set the 2-way valve to the close position.

- 5). Operate the air conditioner at the cooling cycle and stop it when the gauge indicates 0.1MPa.
- 6). Set the 3-way valve to the closed position immediately

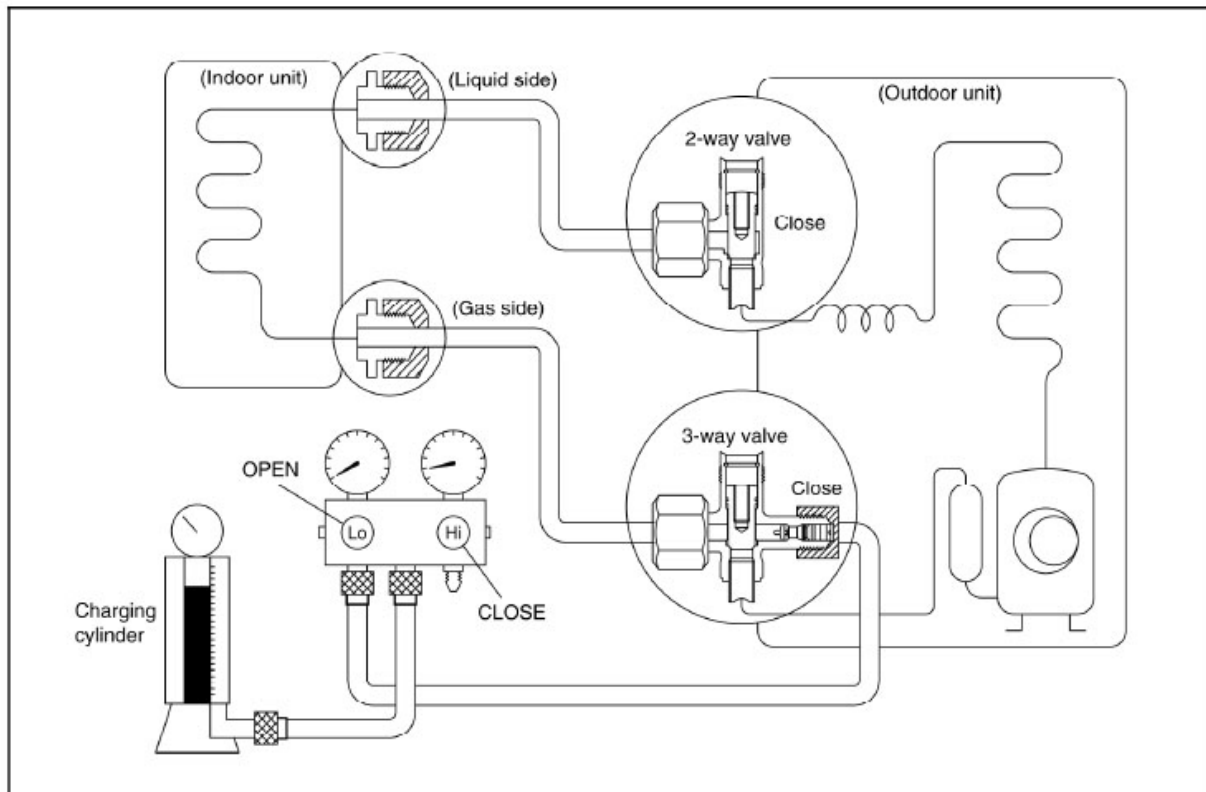
Do this quickly so that the gauge ends up indicating 0.3 to 0.5Mpa.

Disconnect the charge set, and tighten the 2-way and 3-way valve's stem nuts.

Use a torque wrench to tighten the 3-way valves service port cap to a torque of 18N.m.

Be sure to check for gas leakage.

2. Air purging by the refrigerant



Procedure:

- 1). Confirm that both the 2-way and 3-way valves are set to the closed position.
- 2). Connect the charge set and a charging cylinder to the service port of the 3-way valve
Leave the valve on the charging cylinder closed.

3). Air purging.

Open the valves on the charging cylinder and the charge set. Purge the air by loosening the flare nut on the 2-way valve approximately 45° for 3 seconds then closing it for 1 minute; repeat 3 times.

After purging the air, use a torque wrench to tighten the flare nut on the 2-way valve.

4). Check the gas leakage

Check the flare connections for gas leakage.

5). Discharge the refrigerant.

Close the valve on the charging cylinder and discharge the refrigerant by loosening the flare nut on the 2-way valve approximately 45° until the gauge indicates 0.3 to 0.5 Mpa.

6). Disconnect the charge set and the charging cylinder, and set the 2-way and 3-way valves to the open position

Be sure to use a hexagonal wrench to operate the valve stems.

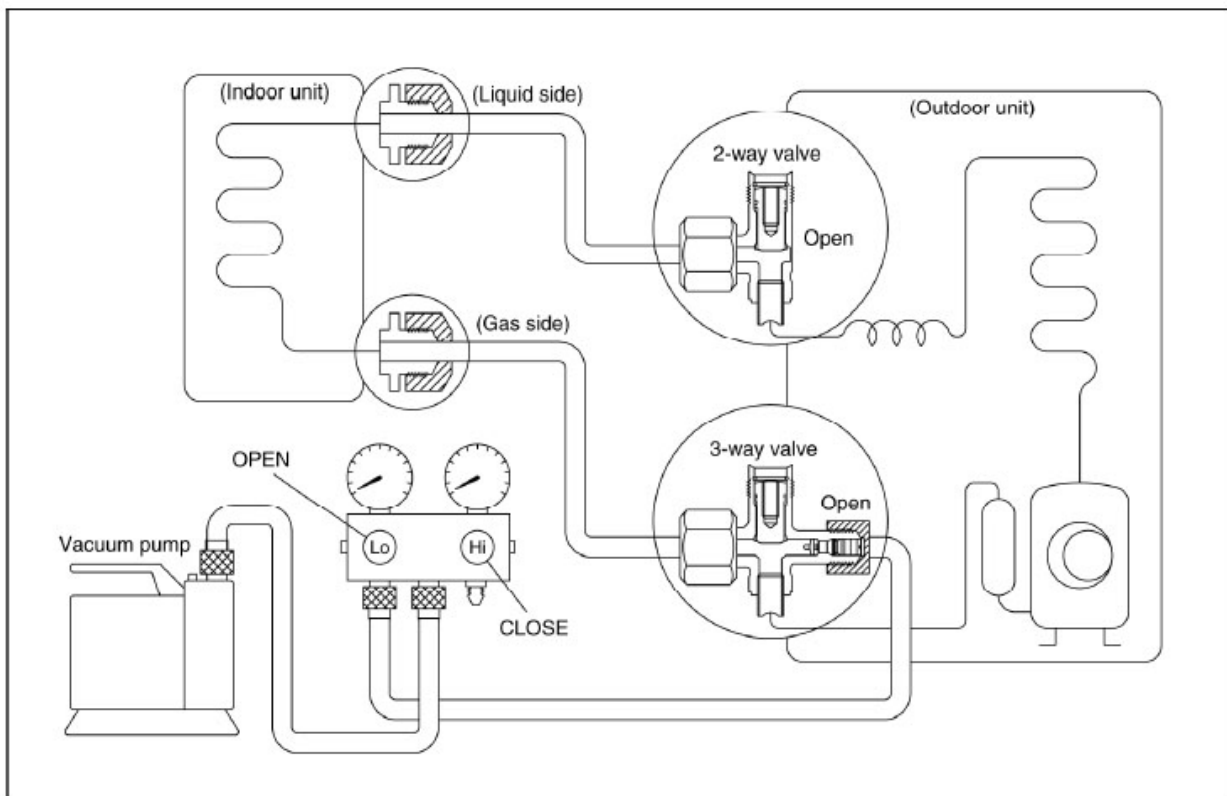
7). Mount the valve stems nuts and the service port cap

Be sure to use a torque wrench to tighten the service port cap to a torque 18N.m.

Be sure to check the gas leakage.

6.7 Re-installation while the outdoor unit need to be repaired

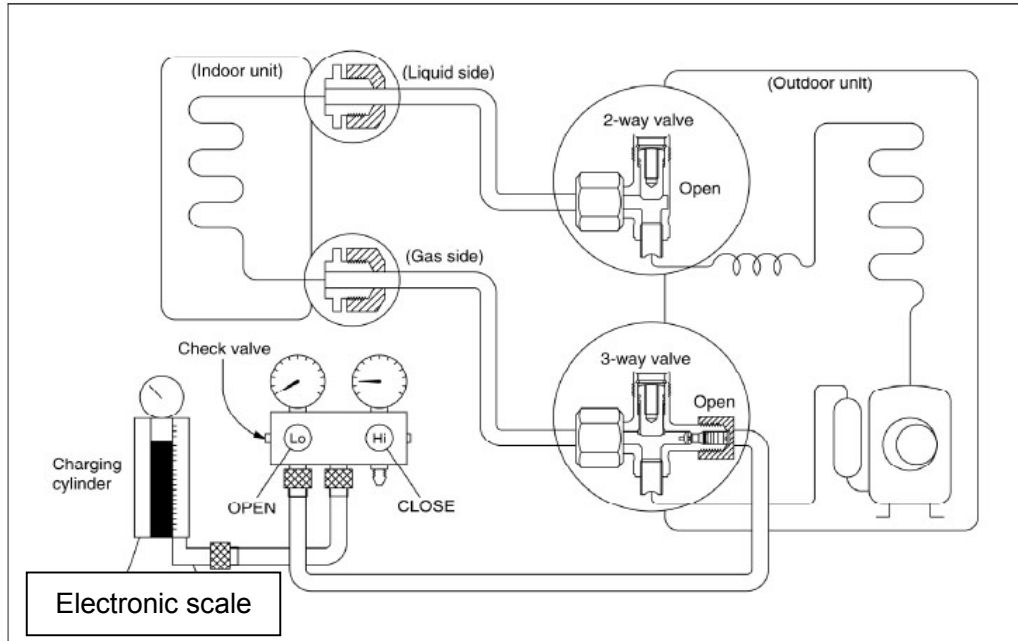
1. Evacuation for the whole system



Procedure:

- 1). Confirm that both the 2-way and 3-way valves are set to the opened position.
- 2). Connect the vacuum pump to 3-way valve's service port.
- 3). Evacuation for approximately one hour. Confirm that the compound meter indicates -0.1Mpa.
- 4). Close the valve (Low side) on the charge set, turn off the vacuum pump, and confirm that the gauge needle does not move (approximately 5 minutes after turning off the vacuum pump).
- 5). Disconnect the charge hose from the vacuum pump.

2. Refrigerant charging



Procedure:

- 1). Connect the charge hose to the charging cylinder, open the 2-way valve and the 3-way valve
Connect the charge hose which you disconnected from the vacuum pump to the valve at the bottom of the cylinder. If the refrigerant is R410A, make the cylinder bottom up to ensure liquid charge.
- 2). Purge the air from the charge hose
Open the valve at the bottom of the cylinder and press the check valve on the charge set to purge the air (be careful of the liquid refrigerant).
- 3) Put the charging cylinder onto the electronic scale and record the weight.
- 4). Open the valves (Low side) on the charge set and charge the system with liquid refrigerant
If the system cannot be charge with the specified amount of refrigerant, or can be charged with a little at a time (approximately 150g each time) , operating the air conditioner in the cooling cycle; however, one time is not sufficient, wait approximately 1 minute and then repeat the procedure.
- 5).When the electronic scale displays the proper weight, disconnect the charge hose from the 3-way valve's service port immediately
If the system has been charged with liquid refrigerant while operating the air conditioner, turn off the air conditioner before disconnecting the hose.
- 6). Mounted the valve stem caps and the service port
Use torque wrench to tighten the service port cap to a torque of 18N.m.
Be sure to check for gas leakage

7. Operation Characteristics

Temperature Mode	Cooling operation	Heating operation	Drying operation
Room temperature	17°C ~ 32°C	0°C ~ 30°C	10°C ~ 32° C
Outdoor temperature	-15°C ~ 50°C	-15°C ~ 30°C	0°C ~ 50°C

CAUTION:

1. If the air conditioner is used beyond the above conditions, certain safety protection features may come into operation and cause the unit to operate abnormally.

2. The room relative humidity should be less than 80%. If the air conditioner operates beyond this figure, the surface of the air conditioner may attract condensation. Please set the vertical air flow louver to its maximum angle (vertically to the floor), and set HIGH fan mode.

3. The optimum performance will be achieved during this operating temperature zone.

8. Electronic function

8.1 Abbreviation

T1: Indoor room temperature

T2: Coil temperature of evaporator

T3: Coil temperature of condenser


T4: Outdoor ambient temperature

T5: Compressor discharge temperature

8.2 Display function

8.2.1 Icon explanation on indoor display board.



FRESH	ION indication lamp(optional function): This lamp illuminates when Clean Air feature is activated.
DEFROST	PRE.-DEF. Indicator: This indicator illuminates when the air conditioner starts defrosting automatically or when the warm air control feature is activated in heating mode.
RUN	OPERATION indicator: This indicator illuminates when the air conditioner is running.
TIMER	Timer indicator: This indicator illuminates when TIMER is set ON/OFF
	Temperature indicator: Displays the temperature settings when the air conditioner is operational, displays the room temperature in FAN mode. Displays the malfunction code.

8.3 Main Protection

8.3.1 Time delay at restart for compressor

1 minute delay for the 1st time start-up and 3 minutes delay for others.

8.3.2 Temperature protection of compressor top

The unit will stop working when the compressor top temp. protector cut off, and will restart after the compressor top temp. protector restart.

8.3.3 Temperature protection of compressor discharge

When the compressor discharge temp. is getting higher, the running frequency will be limited as below rules:

---Compressor discharge temp. $T_5 > 115^{\circ}\text{C}$ for 5s, compressor stops and restarts up till $T_5 < 90^{\circ}\text{C}$

--- $110 < T_5 < 115^{\circ}\text{C}$, decrease the frequency to the lower level every 2 minutes.

--- $105 < T_5 < 110^{\circ}\text{C}$, keep running at the current frequency.

--- $T_5 < 105^{\circ}\text{C}$, no limit for frequency.

8.3.4 Fan Speed is out of control

When Indoor Fan Speed keeps too low (300RPM) for certain time, the unit will stop and the LED will display the failure

8.3.5 Inverter module protection

The Inverter module has a protection function about current, voltage and temperature. If these protections happen, the corresponding code will display on indoor unit and the unit will stop working.

8.3.6 Indoor fan delayed open function

When the unit starts up, the louver will be active immediately and the indoor fan will open 10s later.

If the unit runs in heating mode, the indoor fan will be also controlled by anti-cold wind function.

8.3.7 Compressor preheating functions

Preheating permitting condition:

If $T_4(\text{outdoor ambient temperature}) < 3^{\circ}\text{C}$ and the machine connects to power supply newly or if $T_4 < 3^{\circ}\text{C}$ and compressor has stopped for over 3 hours, the compressor heating cable will work.

Preheating mode:

A weak current flow through the coil of compressor from the wiring terminal of the compressor, then the compressor is heated without operation.

Preheating release condition:

If $T4 > 5^{\circ}\text{C}$ or the compressor starts running, the preheating function will stop.

8.3.8 Sensor protection at open circuit and breaking disconnection.

When there's one temperature sensor in malfunction, the air conditioner will display error code and will not stop immediately, to avoid the case that the air conditioner is in urgent need.

Fault temp. sensor	Operation in cooling, drying and fan only mode	Operation in heating mode
T1	Run supposed $T1=26^{\circ}\text{C}$ high fan speed	Run supposed $T1=26^{\circ}\text{C}$ medium fan speed
T2	Normal	During the first 1 minute of compressor operation, indoor fan shuts off. After that, indoor fan runs at medium fan speed for 1 minute and then resume to the setting fan speed.
T3	Run with compressor frequency $\leq F14$	3 minutes' defrosting every 40 minutes when $T4 < 7^{\circ}\text{C}$; 2 minutes' defrosting every 90 minutes when $T4 \geq 7^{\circ}\text{C}$.
T4	Run supposed $T4=50^{\circ}\text{C}$	Run supposed $T4=15^{\circ}\text{C}$
TP	Run supposed $T4=50^{\circ}\text{C}$	Run supposed $T4=15^{\circ}\text{C}$

8.3.9 Refrigerant leakage detection

This function is only active in cooling mode. It can better prevent the compressor being damaged by refrigerant leakage or compressor overload.

Open condition:

Define the evaporator coil temp. $T2$ of the compressor just starts running as T_{cool} .

In the beginning 5 minutes after the compressor starts up, if $T2 < T_{cool} - 2^{\circ}\text{C}$ does not keep continuous 4 seconds and this situation happens 3 times, the display area will show "EC" and AC will turn off.

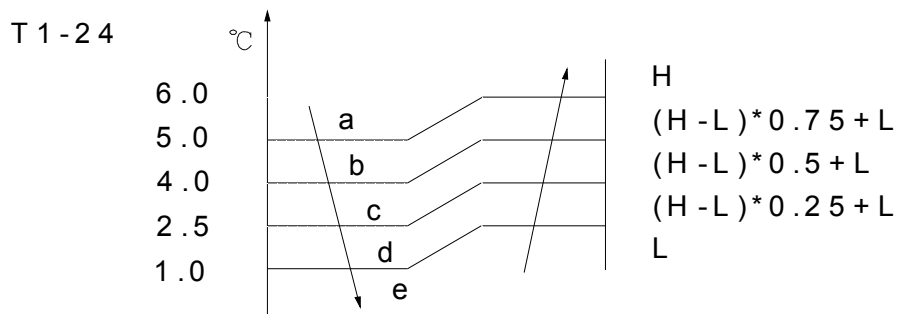
8.3.10 Zero crossing detection error protection

If AC detects time interval is not correct for continuous 240s, the unit will stop and the LED will display the failure. The correct zero crossing signal time interval should be between 6-13ms.

8.4 Operation Modes and Functions

8.4.1 Fan mode

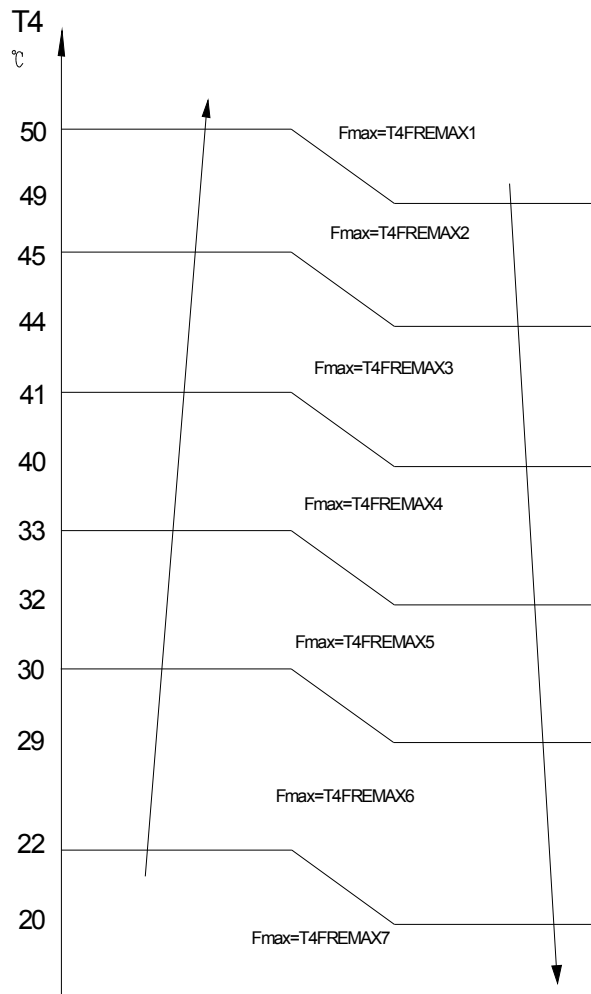
- (1) Outdoor fan and compressor stop.
- (2) Temperature setting function is disabled, and no setting temperature is displayed.
- (3) Indoor fan can be set to high/med/low/auto.
- (4) The louver operates same as in cooling mode.
- (5) Auto fan:



8.4.2 Cooling Mode

8.4.2.1 Compressor running rules

The maximum operation frequency of compressor after starting submits to following rule.

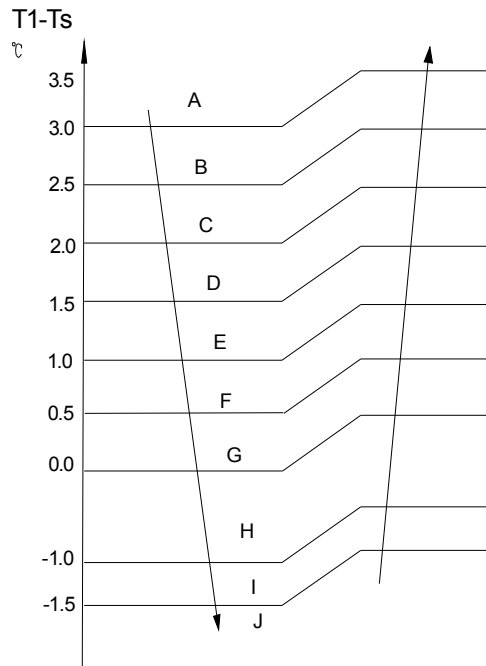


Meanwhile, the maximum frequency is limited by the indoor fan speed.

Indoor fan speed	Maximum frequency
High speed / turbo function	No limit
Silent mode	Fixed at F3

If users switch on AC by remote controller, the compressor will run at the Fmax frequency for 7 minutes according to the outdoor ambient temp. During the 7 minutes, the frequency limitation is active.

7 minutes later, the compressor running frequency will be controlled as below:



While the zones of A,B,C... are corresponding to different compressor running frequency.

Note:

When T1-Ts keeps in the same temp. zone for 3 minutes, the compressor will run as the below rules:

A: Increase the frequency to 3 grade higher until to FREMAX.

B~E: Increase the frequency to 2 grade higher until to FREMAX.

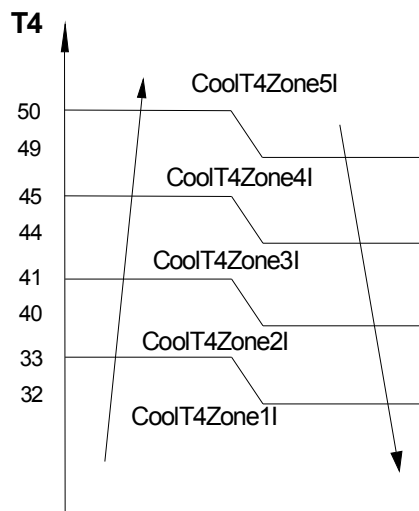
F~G: Increase the frequency to 1 grade higher until to FREMAX.

H: Keep the current frequency.

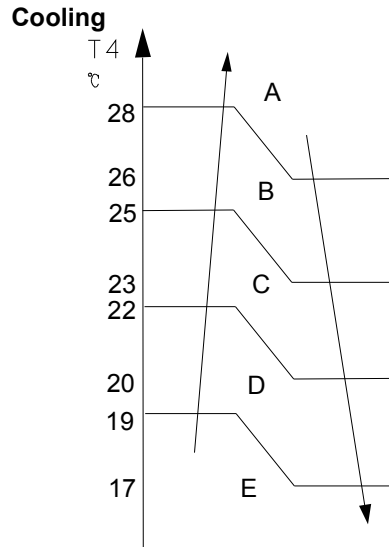
I: Decrease the frequency to 1 grade lower until to F1.

J: Run at F1 for 1h.(if T1-Ts<-2°C, the compressor will stop)

Meanwhile, the compressor running frequency is limited by the current.



8.4.2.2 Outdoor fan running rules



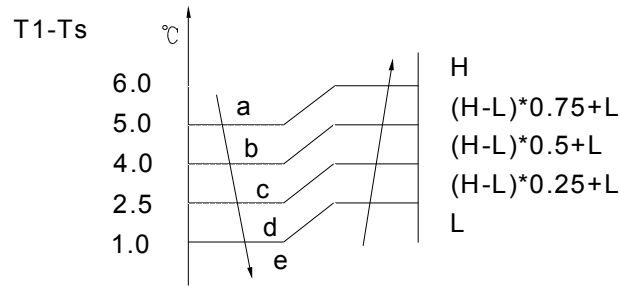
While A,B,C...means different fan speed of outdoor unit.

8.4.2.3 Indoor fan running rules

In cooling mode, indoor fan runs all the time and the speed can be selected as high, medium, low, auto and silent. When the compressor is running, the indoor fan is controlled as below:

Setting Fan speed	T1-Ts	Actual fan speed
H	4.5	$H+(H+=H+G)$
	3.0	$H (=H)$
	1.5	$H- (H=H-G)$
M	4.5	$M+(M+=M+Z)$
	3.0	$M(M=M)$
	1.5	$M-(M-=M-Z)$
L	4.5	$L+(L+=L+D)$
	3.0	$L(L=L)$
	1.5	$L-(L-=L-D)$

The auto fan acts as below rules:



8.4.2.4 Condenser temperature protection

--- $55^{\circ}C < T3 < 60^{\circ}C$, the compressor frequency will decrease to the lower level until to F1 and then runs at F1. If $T3 < 54^{\circ}C$, the compressor will keep running at the current frequency.

--- $T3 < 52^{\circ}C$, the compressor will not limit the frequency and resume to the former frequency.

--- $T3 > 60^{\circ}C$ for 5 seconds, the compressor will stop until $T3 < 52^{\circ}C$.

8.4.2.5 Evaporator temperature protection

--- $T2 < 0^{\circ}C$, the compressor will stop and restart when $T2 \geq 5^{\circ}C$.

--- $0^{\circ}C \leq T2 < 4^{\circ}C$, the compressor frequency will be limited and decreased to the lower level

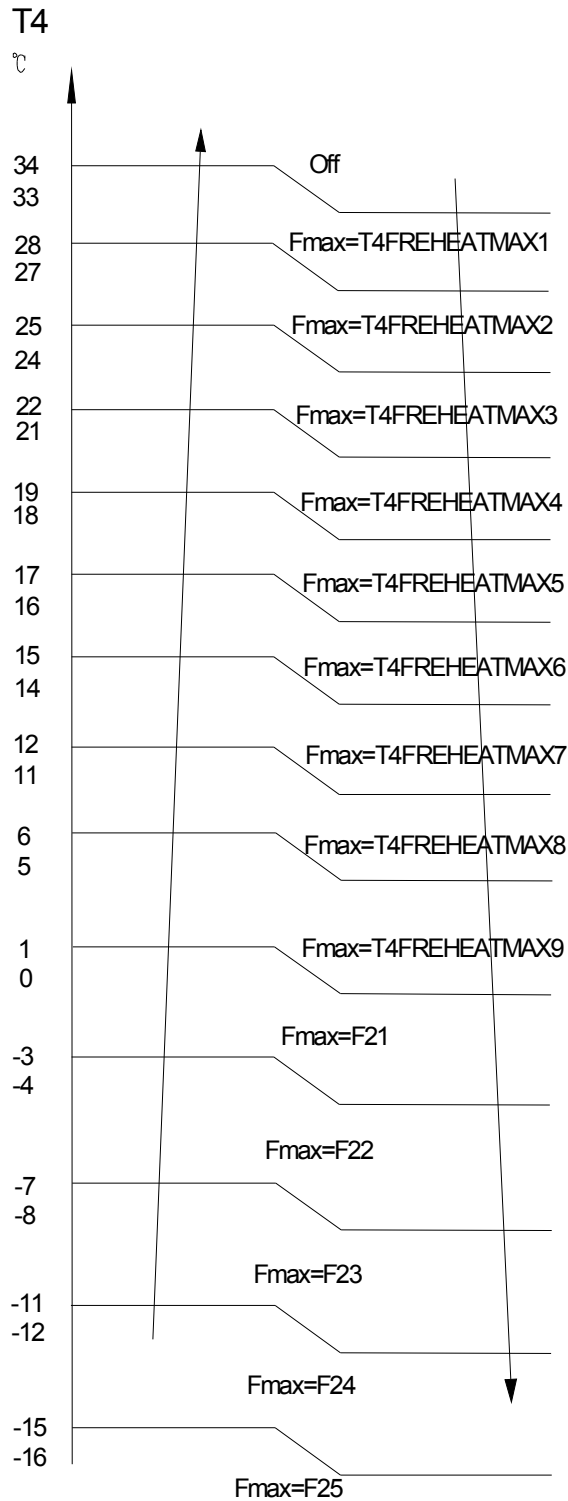
--- $4^{\circ}C \leq T2 \leq 7^{\circ}C$, the compressor will keep the current frequency.

--- $T2 > 7^{\circ}C$, the compressor frequency will not be limited.

8.4.3 Heating Mode

8.4.3.1 Compressor running rules

The maximum operation frequency of the compressor after starting submits to the following rule.

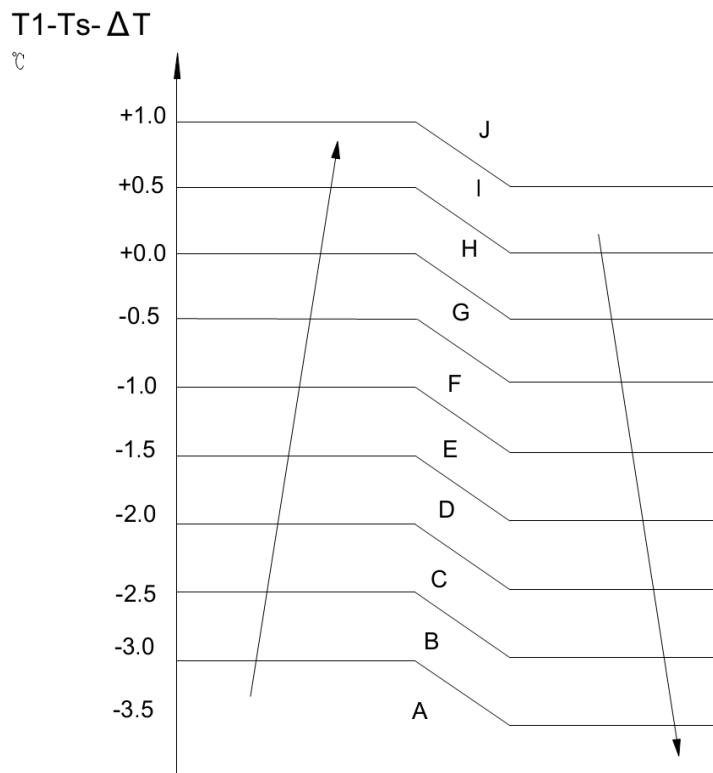


Meanwhile, the maximum frequency is limited by the indoor fan speed.

Indoor fan speed	Maximum frequency
High speed/8 degree heating/ turbo function	No limit
Medium speed	FHeatMaxMidFan
Low speed/sleep mode	FHeatMaxLowFan
Silent mode	Fixed at F3

If users switch on AC by remote controller, the compressor will run at the Fmax frequency for 7 minutes according to outdoor ambient temp. During the 7 minutes, the frequency limitation is active.

7 minutes later, the compressor running frequency will be controlled as below:



While the zones of A,B,C... are corresponding to different compressor running frequency.

Temperature compensation: $\Delta T=4^{\circ}\text{C}$ as default (it can be modified by the service).

Note:

When $T1-Ts$ keeps in the same temp. zone for 3 minutes, the compressor will run as the below rules:

A: Increase the frequency to 3 grade higher until to FREMAX.

B~E: Increase the frequency to 2 grade higher until to FREMAX.

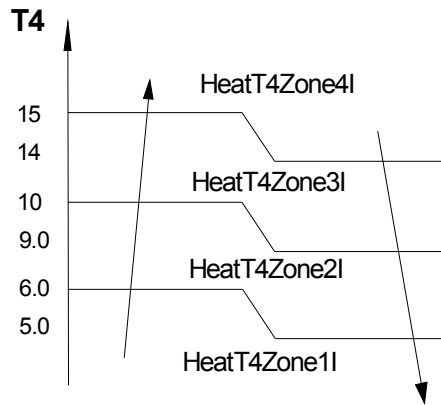
F~G: Increase the frequency to 1 grade higher until to FREMAX.

H: Keep the current frequency.

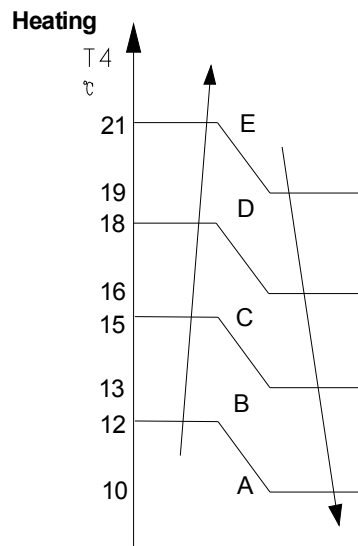
I: Decrease the frequency to the 1 grade lower until to F1.

J: Run at F1 for 1h. (if $T1-Ts-\Delta T > 2^{\circ}\text{C}$, the compressor will stop)

Meanwhile, the compressor running frequency is limited by the current.



8.4.3.2 Outdoor fan running rules



8.4.3.3 Indoor fan running rules

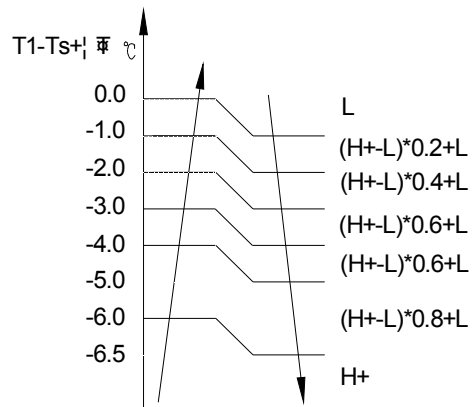
In heating mode, indoor fan can be selected as high, medium, low, auto and silent. The anti-cold-wind function is preferential. The running rules of anti-cold-wind function depend on both T1 and T2 that is more comfortable control.

When the compressor is running, the indoor fan is controlled as below:

Setting fan speed	T1-Ts		Actual fan speed
H	-1.5		H+ (H=H+G)
	-3.0		H (=H)
	-4.5		H+(H+=H+G)
M	-1.5		M-(M-=M-Z)
	-3.0		M(M=M)
	-4.5		M+(M+=M+Z)
L	-1.5		L-(L-=L-D)
	-3.0		L(L=L)
	-4.5		L+(L+=L+D)

If the compressor stops caused by the room temperature rising, the indoor fan will be forced to run 127 seconds with breeze. During this period, the anti-cold-wind is disabled.

Auto fan action in heating mode:



8.4.3.4 Defrosting mode

Condition of defrosting:

If any one of the following items is satisfied, AC will enter the defrosting mode.

After the compressor starts up and keeps running, mark the minimum value of T3 from the 10th minutes to 15th minutes as T30.

1) If the compressor cumulative running time is up to 29 minutes and $T3 < TCDI1$, $T3 + T30SUBT3ONE \leq T30$.

2) If the compressor cumulative running time is up to 35 minutes and $T3 < TCDI2$, $T3 + T30SUBT3TWO \leq T30$.

3) If the compressor cumulative running time is up to 29 minutes and $T3 < TCDI3$ for 3 minutes.

4) If the compressor cumulative running time is up to 120 minutes and $T3 < -15^{\circ}\text{C}$.

Condition of ending defrosting:

If any one of the following items is satisfied, the defrosting will finish and the machine will turn to normal heating mode.

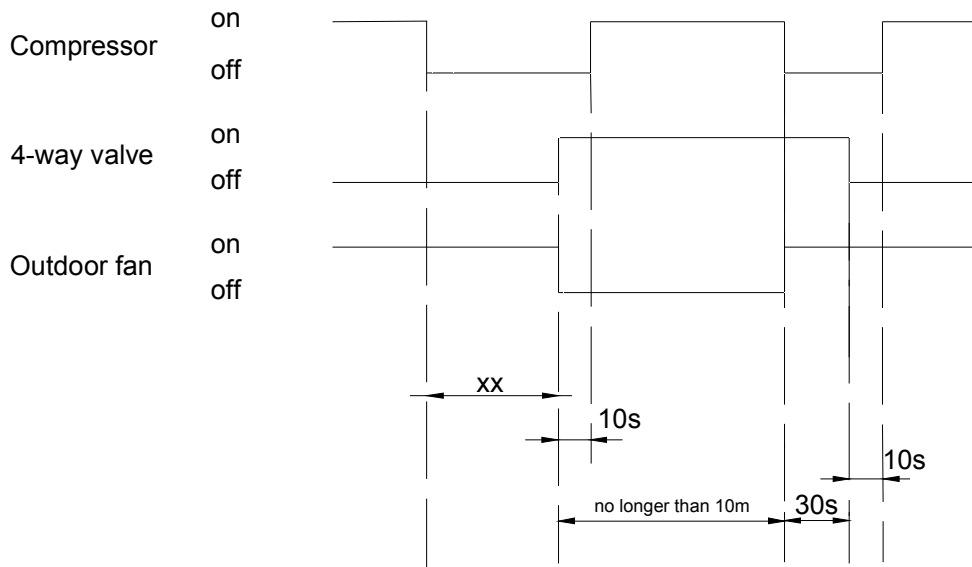
---T3 rises to be higher than $TCDE1^{\circ}\text{C}$.

---T3 keeps to be higher than $TCDE2^{\circ}\text{C}$ for 80 seconds.

---The machine has run for 10 minutes in defrosting mode.

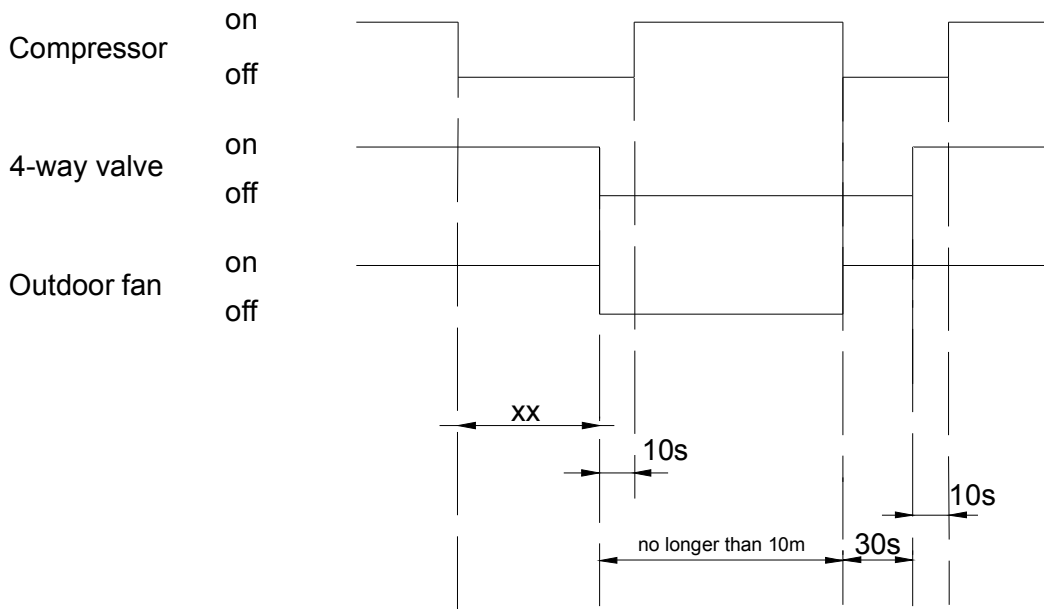
Defrosting action:

For 9k,12k models:



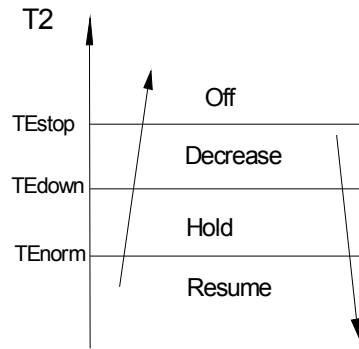
xx=20.

For 18k,24k models:



xx=20

8.4.3.5 Evaporator coil temperature protection



Off: Compressor stops.

Decrease: Decrease the running frequency to the lower level.

Hold: Keep the current frequency.

Resume: No limitation for frequency.

8.4.4 Auto-mode

This mode can be chosen with remote controller and the setting temperature can be changed between 17~30°C.

In auto mode, the machine will choose cooling, heating or fan-only mode according to ΔT ($\Delta T = T1 - Ts$).

$\Delta T = T1 - Ts$	Running mode
$\Delta T > 1^\circ\text{C}$	Cooling
$-1 < \Delta T \leq 1^\circ\text{C}$	Fan-only
$\Delta T \leq -1^\circ\text{C}$	Heating

Indoor fan will run at auto fan of the relevant mode.

The louver operates same as in relevant mode.

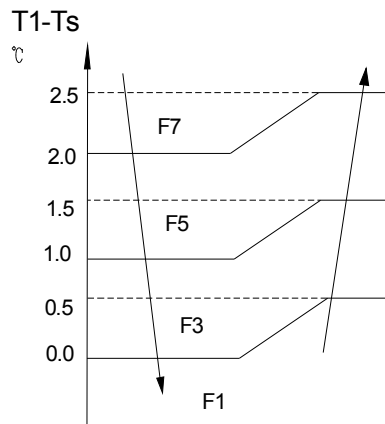
If the machine switches mode between heating and cooling, the compressor will keep stopping for 15 minutes and then choose mode according to $T1 - Ts$.

If the setting temperature is modified, the machine will choose running function again.

8.4.5 Drying mode

8.4.5.1 Indoor fan speed is fixed at breeze and can't be changed. The louver angle is the same as in cooling mode.

8.4.5.2 Compressor running rules



8.4.5.3 Low indoor room temperature protection

In drying mode, if room temperature is lower than 10°C, the compressor will stop and not resume until room temperature exceeds 12°C.

8.4.5.4 Evaporator anti-freezing protection, condenser high temperature protection and outdoor unit frequency limit are active and the same as that in cooling mode.

8.4.5.5 The outdoor fan operates the same as in cooling mode.

8.4.6 Forced operation function

8.4.6.1 Enter forced operation function:

When the machine is off, pressing the touch button will carry the machine to forced auto mode. If pressing the button once again within 5 seconds, the machine will turn into forced cooling mode.

In forced auto, forced cooling or any other operation mode, pressing touch button will turn off the machine.

8.4.6.2 In forced operation mode, all general protections and remote control are available.

8.4.6.3 Operation rules:

Forced cooling mode:

The compressor runs at F2 frequency and indoor fan runs as breeze. After running for 30 minutes, the machine will turn to auto mode as 24°C setting temperature.

Forced auto mode:

The action of forced auto mode is the same as normal auto mode with 24°C setting temperature.

8.4.7 Timer function

8.4.7.1 Timing range is 24 hours.

8.4.7.2 Timer on. The machine will turn on automatically when reaching the setting time.

8.4.7.3 Timer off. The machine will turn off automatically when reaching the setting time.

8.4.7.4 Timer on/off. The machine will turn on automatically when reaching the setting “on” time, and then turn off automatically when reaching the setting “off” time.

8.4.7.5 Timer off/on. The machine will turn off automatically when reaching the setting “off” time, and then turn on automatically when reaching the setting “on” time.

8.4.7.6 The timer function will not change the AC current operation mode. Suppose AC is off now, it will not start up firstly after setting the “timer off” function. And when reaching the setting time, the timer LED will be off and the AC running mode has not been changed.

8.4.7.7 The setting time is relative time.

8.4.8 Sleep function mode

8.4.8.1 Operation time in sleep mode is 7 hours. After 7 hours the AC quits this mode and turns off.

8.4.8.2. Operation process in sleep mode is as follow:

When cooling, the setting temperature rises 1°C (be lower than 30°C) every one hour, 2 hours later the setting temperature stops rising and indoor fan is fixed as low speed.

When heating, the setting temperature decreases 1°C (be higher than 17°C) every one hour, 2 hours later the setting temperature stops rising and indoor fan is fixed as low speed. (Anti-cold wind function has the priority)

8.4.8.3 Timer setting is available

8.4.8.4 When user uses timer off function in sleep mode (or sleep function in timer off mode), if the timing is less than 7 hours, sleep function will be cancelled when reaching the setting time. If the timing is more than 7 hours, the machine will not stop until reaches the setting time in sleep mode.

8.4.9 Auto-Restart function

The indoor unit is equipped with auto-restart function, which is carried out through an auto-restart module. In case of a sudden power failure, the module memorizes the setting conditions before the power failure. The unit will resume the previous operation setting (not including swing function) automatically after 3 minutes when power returns.

If the memorization condition is forced cooling mode, the unit will run in cooling mode for 30 minutes and turn to auto mode as 24°C setting temp.

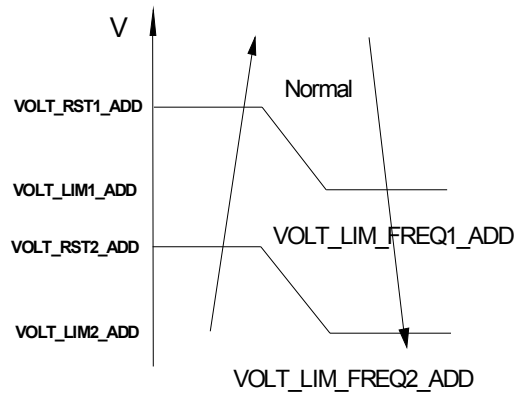
If AC is off before power off and AC is required to start up now, the compressor will have 1 minute delay when power on. Other conditions, the compressor will have 3 minutes delay when restarts.

8.4.10 8°C Heating

In heating operation, the preset temperature of the air conditioner can be as lower as 8°C, which keeps the room temperature steady at 8°C and prevents household things freezing when the house is

unoccupied for a long time in severe cold weather.

8.4.11 Frequency limitation protection

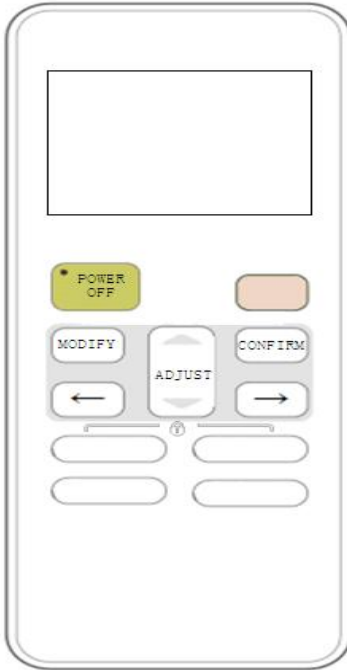


The PCB will detect the voltage of power supply and adjust the compressor running frequency to protect the system.

In the first 10 seconds after power on, this protection is inactive.

When this protection happens, it will last 3 minutes and then the PCB will detect the power supply voltage again.

8.4.12 Compatible with new controller RG52I (optional)



Through RG52I controller, five function parameters of air conditioners can be adjusted immediately. There is no need to change the chip anymore.

1, Auto restart function

Press "ADJUST" button, choose "F1". Press "MODIFY" button, Press "ADJUST". Then choose "ON" or "OFF" button to active the auto restart function or shut off the function. Press "CONFIRM" button at last.

2, Temp. compensation.

Press "ADJUST" button, choose "F2". Press "MODIFY" button, Press "ADJUST" to choose the temp. value(0~6). Press "CONFIRM" button at last.

3, Anti-cold wind function

Press "ADJUST" button, choose "F3". Press "MODIFY" button, Press "ADJUST" to choose "1" or "2". Press "CONFIRM" button at last.

"1" : intelligent defrosting mode.

"2" :common defrosting mode.

4, Indoor fan speed of when setting temp. is achieved.

Press "ADJUST" button, choose "F4". Press "MODIFY" button, Press "ADJUST" to choose "1" or "2" or "3". Press "CONFIRM" button at last.

"1": Indoor fan stops when setting temp. is achieved.

"2": Indoor fan keeps at lowest fan speed when setting temp. is achieved.

"3": Indoor fan keeps at setting fan speed when setting temp. is achieved.

5, Louver position memory function

Press "ADJUST" button, choose "F5". Press "MODIFY" button, Press "ADJUST" to choose "1" or "2" or "3". Press "CONFIRM" button at last.

"1": Louver position is not memorized.

"2": Louver position is active, even when power off and AC shuts off.

"3": Louver position is active, even when AC shuts off, while Inactive when power off.

8.4.13 Point check function

Press the “LED DISPLAY” button of remote controller three times (“Swing button” for some remote controllers) and then press “AIR DIRECTION” button three times, the air conditioner will enter the “information enquiry” status. After that, press the “LED DISPLAY” button to enquiry the next one information and press the “AIR DIRECTION” button to enquiry the last one information.

Table:

Enquiry information	Displaying code	Display value	Meaning	Remark
T1	T1	-1F,-1E,-1d,-1c,-	-25,-24,-23,-22,-21,-2	1. All the displaying temperature is actual value. 2. All the temperature is °C no matter what kind of remote controller is used. 3. T1,T2,T3,T4,T2B display range:-25~70, TP display range:-20~130. 4. Frequency display range: 0~159HZ. 5. If the actual value exceeds the range, it will display the maximum value or minimum value.
T2	T2	1b,-1A	0	
T3	T3	-19—99	-19—99	
T4	T4	A0,A1,...A9	100,101,...109	
T2B	Tb	b0,b1,...b9	110,111,...119	
TP	TP	c0,c1,...c9	120,121,...129	
TH	TH	d0,d1,...d9	130,131,...139	
Targeted Frequency	FT	E0,E1,...E9	140,141,...149	
Actual Frequency	Fr	F0,F1,...F9	150,151,...159	
Indoor fan speed /Outdoor fan speed	IF	0	OFF	For some big capacity motors.
		1,2,3,4	Low speed, Medium speed, High speed, Turbo	
	OF	14-FF	Actual fan speed=Display value turns to decimal value and then multiply 10. The unit is RPM.	For some small capacity motors, display value is from 14-FF(hexadecimal), the corresponding fan speed range is from 200-2550RPM.
EXV opening angle	LA	0-FF	Actual EXV opening value=Display value turns to decimal value and then multiply 2.	
Compressor continuous running time	CT	0-FF	0-255 minutes	If the actual value exceeds the range, it will display the maximum value or minimum value.
Causes of compressor stop.	ST	0-99	For the detailed meaning, please consult with engineer	Decimal display
Indoor unit status 0	A0	0-FF	For the detailed meaning, please consult with engineer	

Indoor unit status 1	A1	0-FF	For the detailed meaning, please consult with engineer	
Outdoor unit status	b0	0-FF	For the detailed meaning, please consult with engineer	
Outdoor unit protection status 1	b1	0-FF	For the detailed meaning, please consult with engineer	
Outdoor unit protection status 2	b2	0-FF	For the detailed meaning, please consult with engineer	
Outdoor unit protection status 3	b3	0-FF	For the detailed meaning, please consult with engineer	
Outdoor unit protection status 4	b4	0-FF	For the detailed meaning, please consult with engineer	
Outdoor unit protection status 5	b5	0-FF	For the detailed meaning, please consult with engineer	
Outdoor unit protection status 6	b6	0-FF	For the detailed meaning, please consult with engineer	
Current	dL	0-FF		
AC voltage	Ac	0-FF		
DC voltage	Uo	0-FF		
Td temperature	Td	0-FF	Display value=Td actual value×2+50	

8.4.14 Mode Lock

8.4.14.1: Enter condition:

Hold “touch” button of air-conditioners and then power on, loose the button after 5~10 seconds later, the air-conditioners will switch to heating only mode for heat pump models. Meanwhile, the digital tube of panel will display “HH” for two seconds and then return to normal display.

8.4.14.2: Quit condition:

Power off. Hold “touch” button of air-conditioners and then power on, loose the button after 5~10 seconds later. The air-conditioners will quit the condition and return to normal status. Meanwhile, the digital tube of panel will display “CH” for two seconds and then return to normal display.

9. Troubleshooting

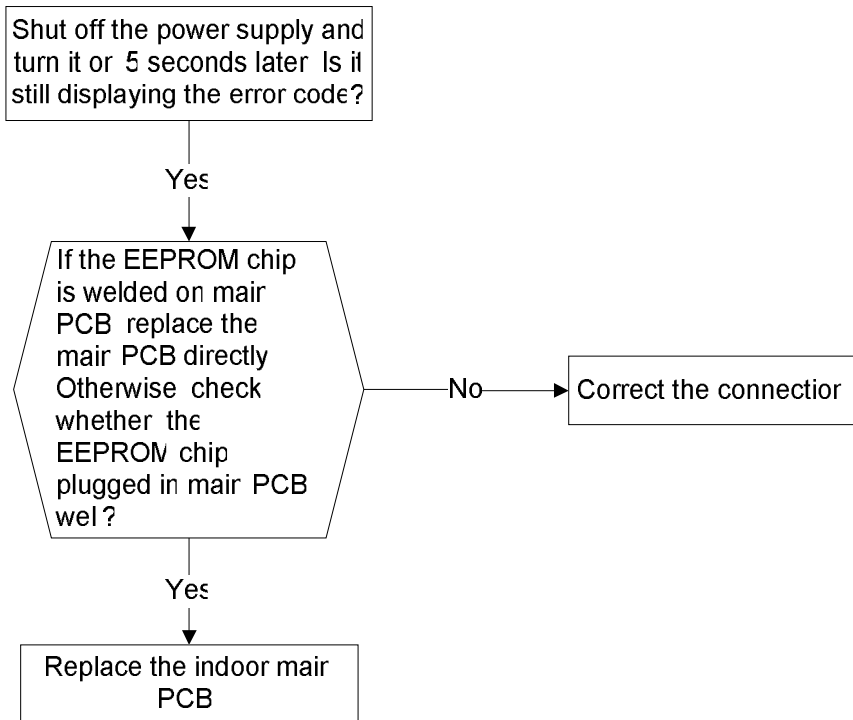
9.1 Indoor Unit Error Display

Operation lamp	Timer lamp	Display	LED STATUS
☆ 1 time	X	E0	Indoor unit EEPROM parameter error
☆ 2 times	X	E1	Indoor / outdoor units communication error
☆ 3 times	X	E2	Zero crossing signal detection error
☆ 4 times	X	E3	Indoor fan speed has been out of control
☆ 5 times	X	E4	Open circuit or short circuit of indoor room temperature T1 sensor
☆ 6 times	X	E5	Open circuit or short circuit of evaporator coil temperature T2 sensor
☆ 7 times	X	EC	Refrigerant Leakage Detection
☆ 2 times	O	F1	Open circuit or short circuit of outdoor ambient T4 temperature sensor
☆ 3 times	O	F2	Open circuit or short circuit of condenser coil temperature T3 sensor
☆ 4 times	O	F3	Open circuit or short circuit of compressor discharge T5 temperature sensor
☆ 5 times	O	F4	Outdoor unit EEPROM parameter error
☆ 6 times	O	F5	Outdoor fan speed has been out of control
☆ 1 times	☆	P0	IPM malfunction or IGBT over-strong current protection
☆ 2 times	☆	P1	Over voltage or over low voltage protection
☆ 3 times	☆	P2	High temperature protection of compressor top diagnosis and solution(Not used at these model)
☆ 5 times	☆	P4	Inverter compressor drive error

O (light) X (off) ☆ (flash)

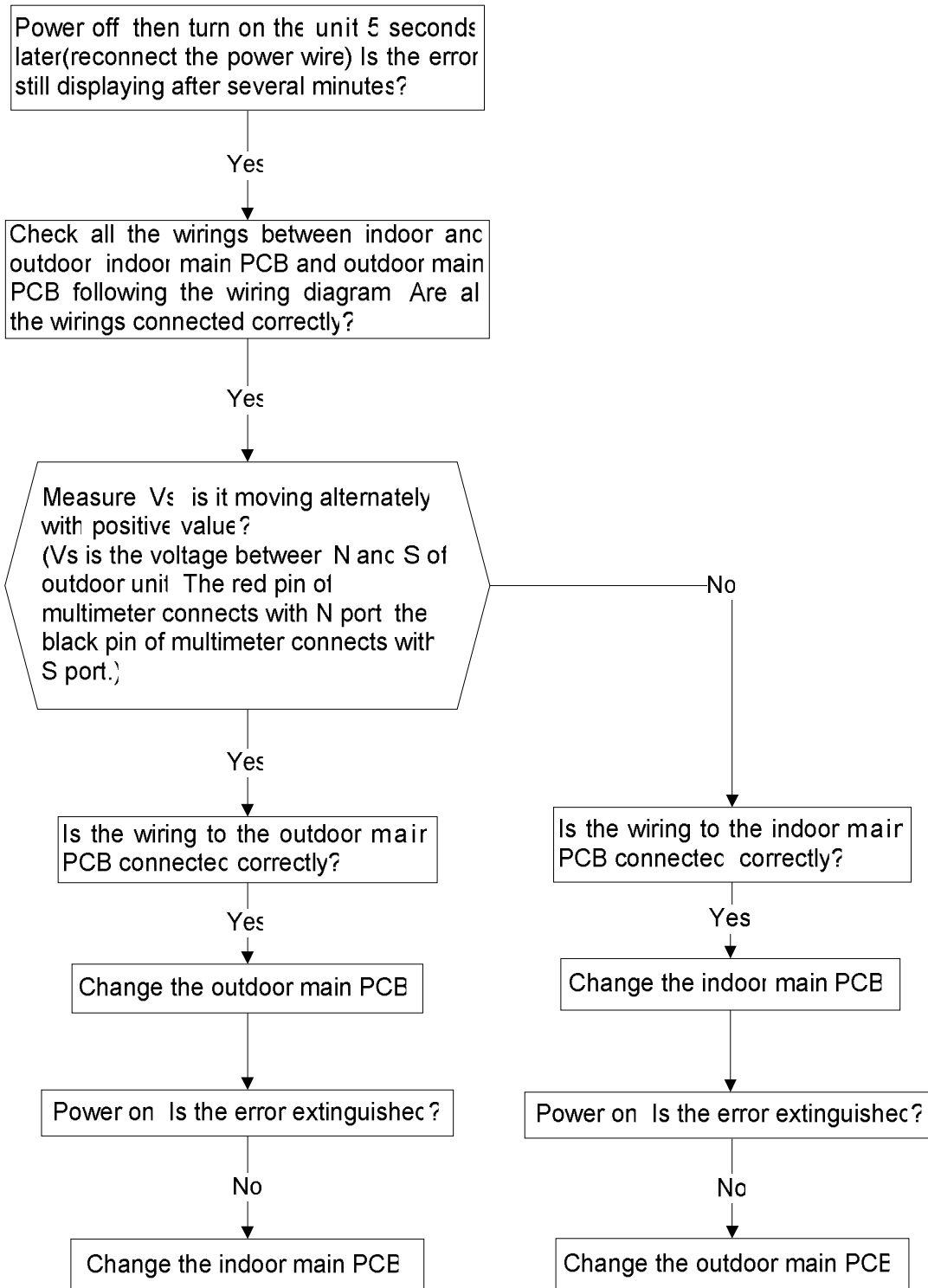
9.2 Diagnosis and Solution

9.2.1 EEPROM parameter error diagnosis and solution(E0)

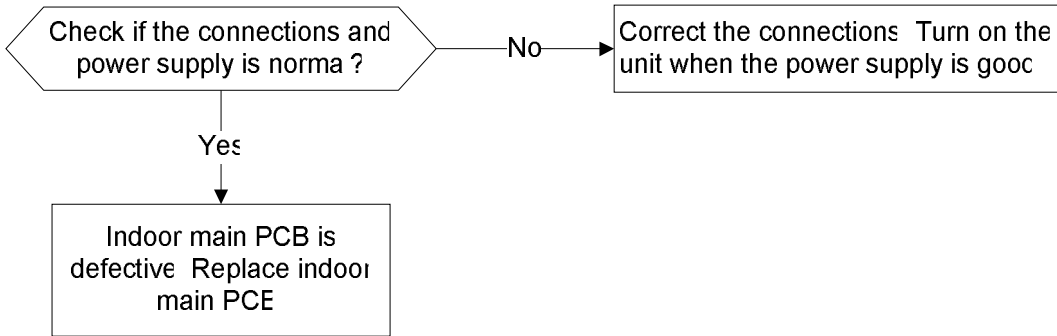


EEPROM: a read-only memory whose contents can be erased and reprogrammed using a pulsed voltage.

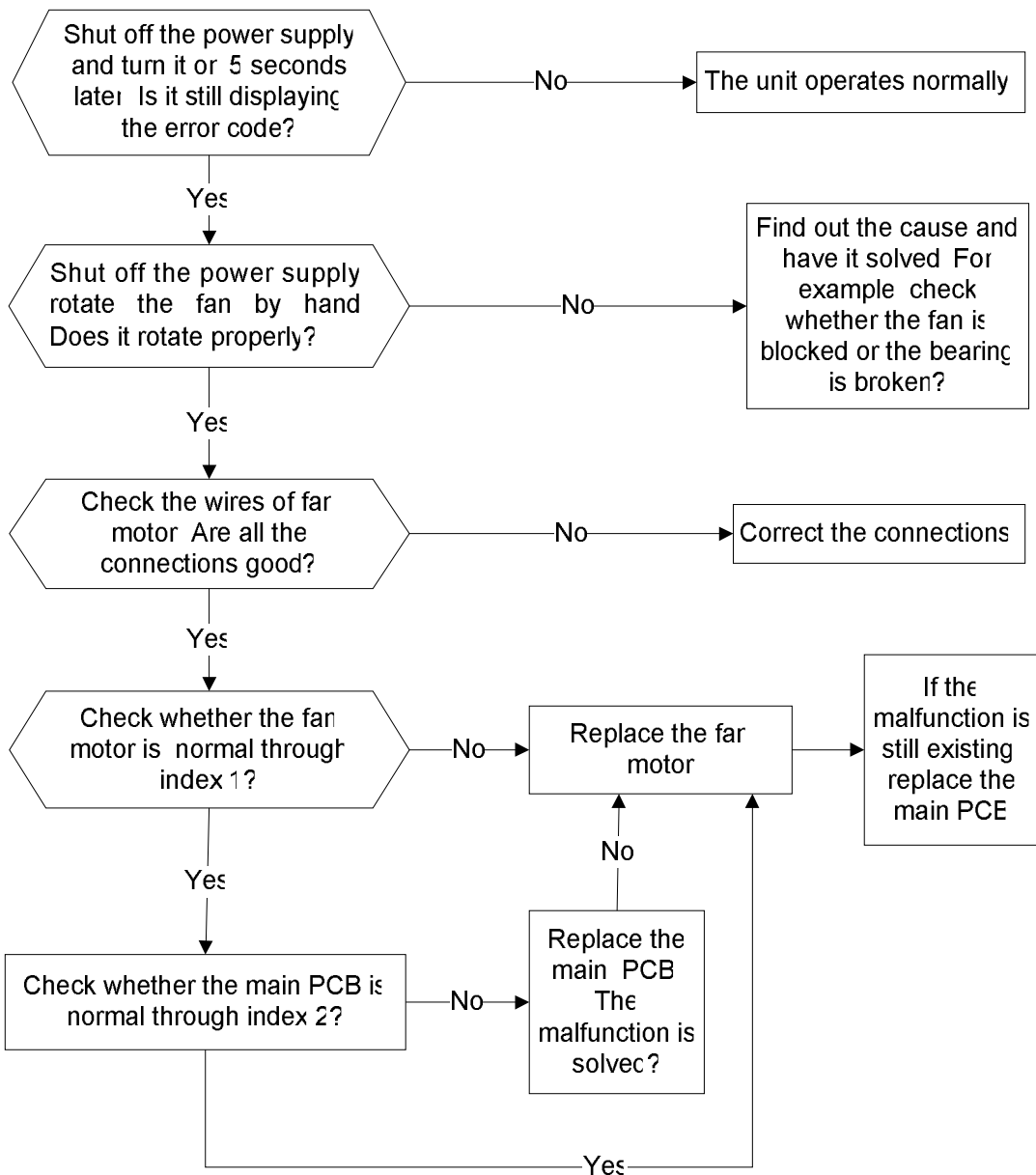
9.2.2 Indoor unit and outdoor unit communication protection error diagnosis and solution (E1)



9.2.3 Zero crossing detection error diagnosis and solution(E2)



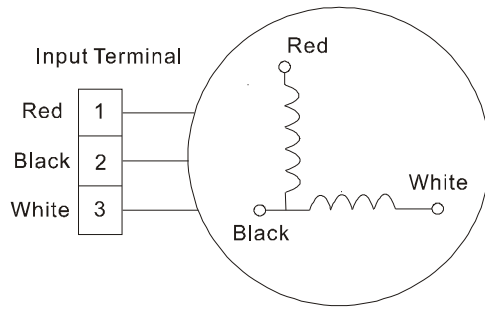
9.2.4 Fan speed has been out of control diagnosis and solution (E3/F5)



Index 1:

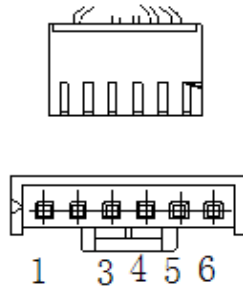
1. Indoor AC Fan Motor

Measure the resistance value of each winding by using the tester.



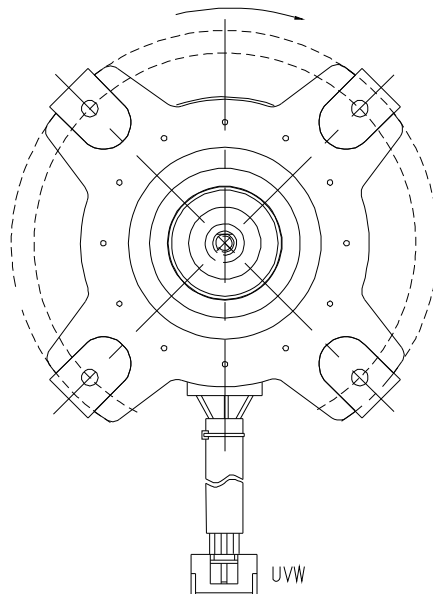
2. Outdoor or indoor DC Fan Motor (control chip is in fan motor)

Measure the resistance value of each winding by using the tester. If any resistance value is zero, the fan motor must have problems and need to be replaced.



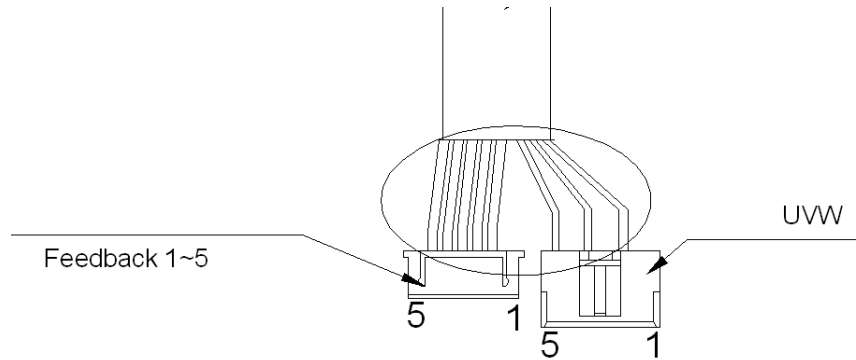
3. Outdoor or indoor DC Fan Motor (control chip is in on PCB)

For WZDK36-38G-W, WZDK40-38G-W-1 :



- 1) Release the UVW connector. Measure the resistance of U-V, U-W, V-W. If the resistance is not equal to each other, the fan motor must have problems and need to be replaced. Otherwise, go to step 2.

For other motors:



NO.	1	2	3	4	5
Color	Orange	Grey	White	Pink	Black
Signal	Hu	Hv	Hw	Vcc	GND

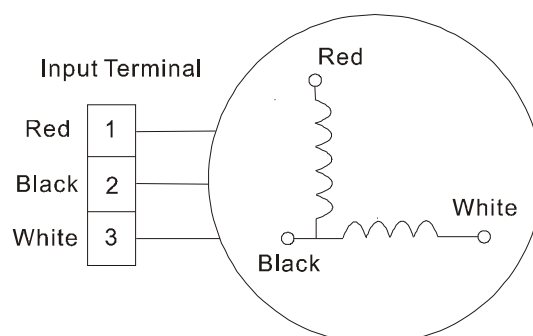
Color	Red	Blue	Yellow
Signal	W	V	U

- 1) Release the UVW connector. Measure the resistance of U-V, U-W, V-W. If the resistance is not equal to each other, the fan motor must have problems and need to be replaced. Otherwise, go to step 2.
- 2) Power on and when the unit is in standby, measure the voltage of pin4-5 in feedback signal connector. If the value is not 5V, change the PCB. Otherwise, go to step 3.

Index2:

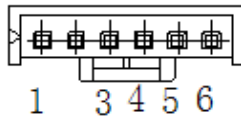
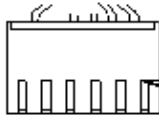
1: Indoor AC Fan Motor

Power on and set the unit running in fan mode at high fan speed. After running for 15 seconds, measure the voltage of pin1 and pin2. If the value of the voltage is less than 100V(208~240V power supply) or 50V(115V power supply), the PCB must have problems and need to be replaced.



2. Indoor or Outdoor DC Fan Motor(control chip is in fan motor)

Power on and when the unit is in standby, measure the voltage of pin1-pin3, pin4-pin3 in fan motor connector. If the value of the voltage is not in the range showing in below table, the PCB must have problems and need to be replaced.

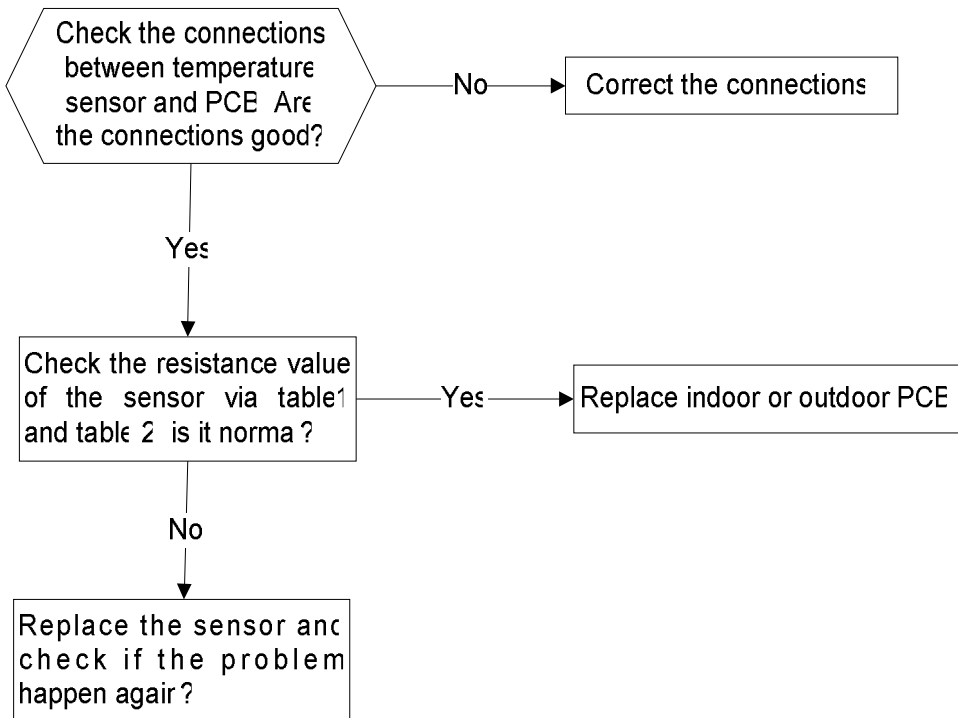


DC motor voltage input and output

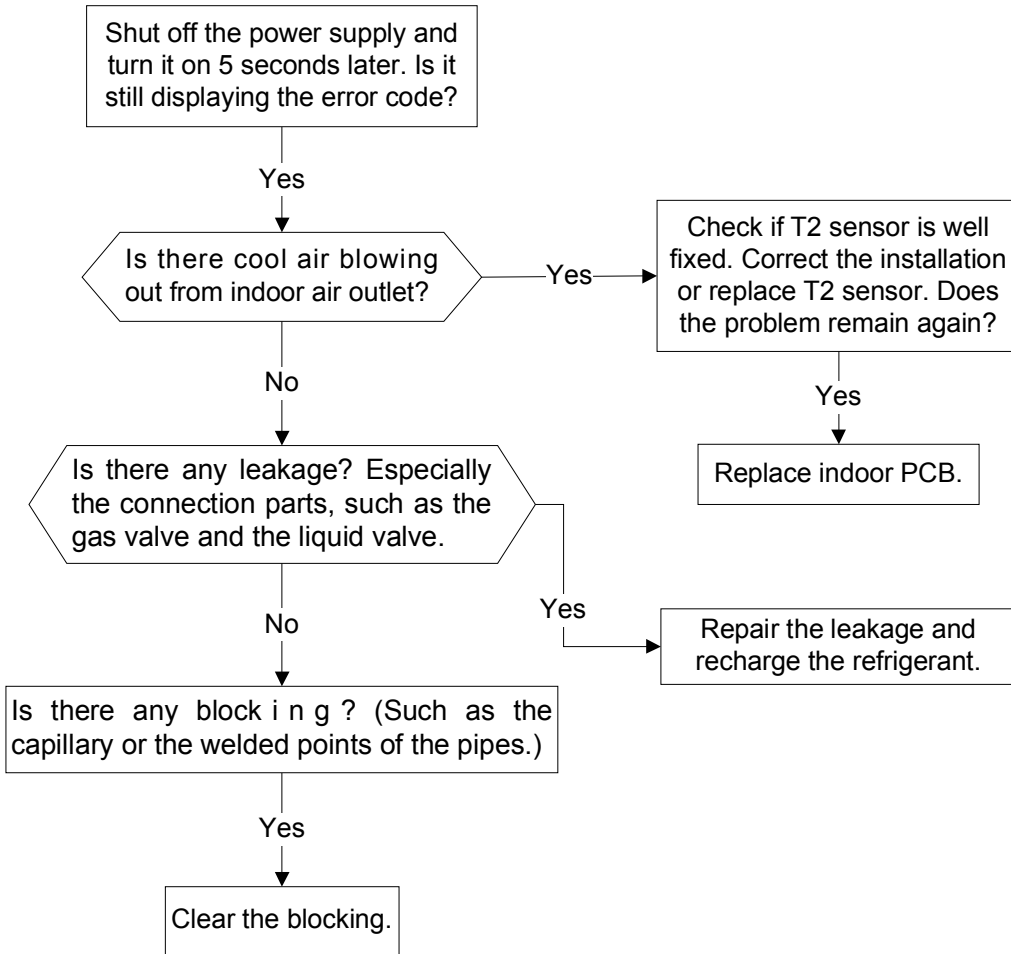
NO.	Color	Signal	Voltage
1	Red	Vs/Vm	280V~380V
2	---	---	---
3	Black	GND	0V
4	White	Vcc	14-17.5V
5	Yellow	Vsp	0~5.6V
6	Blue	FG	14-17.5V

9.2.5 Open circuit or short circuit of temperature sensor diagnosis and solution

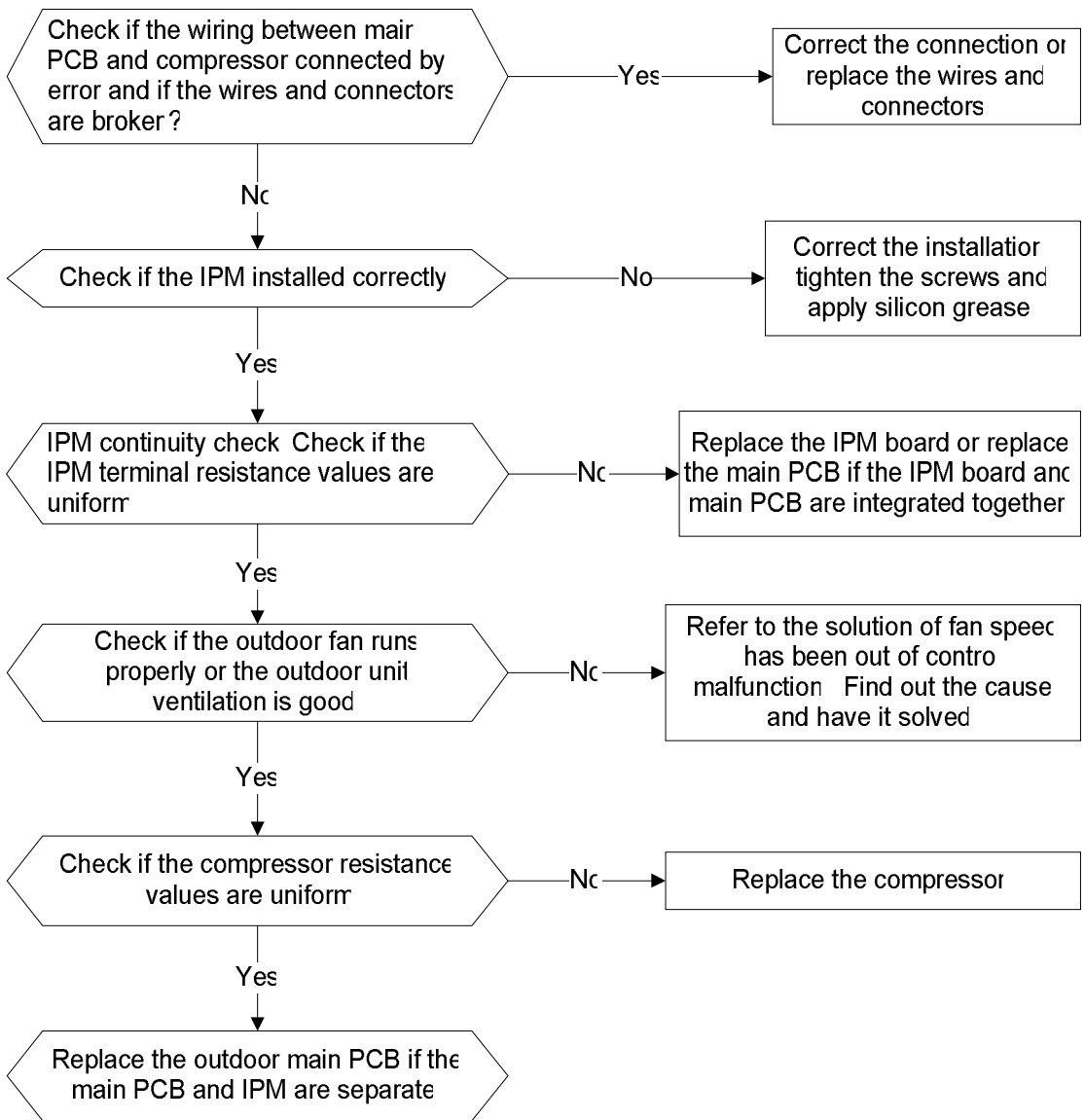
(E4/E5/F1/F2/F3)



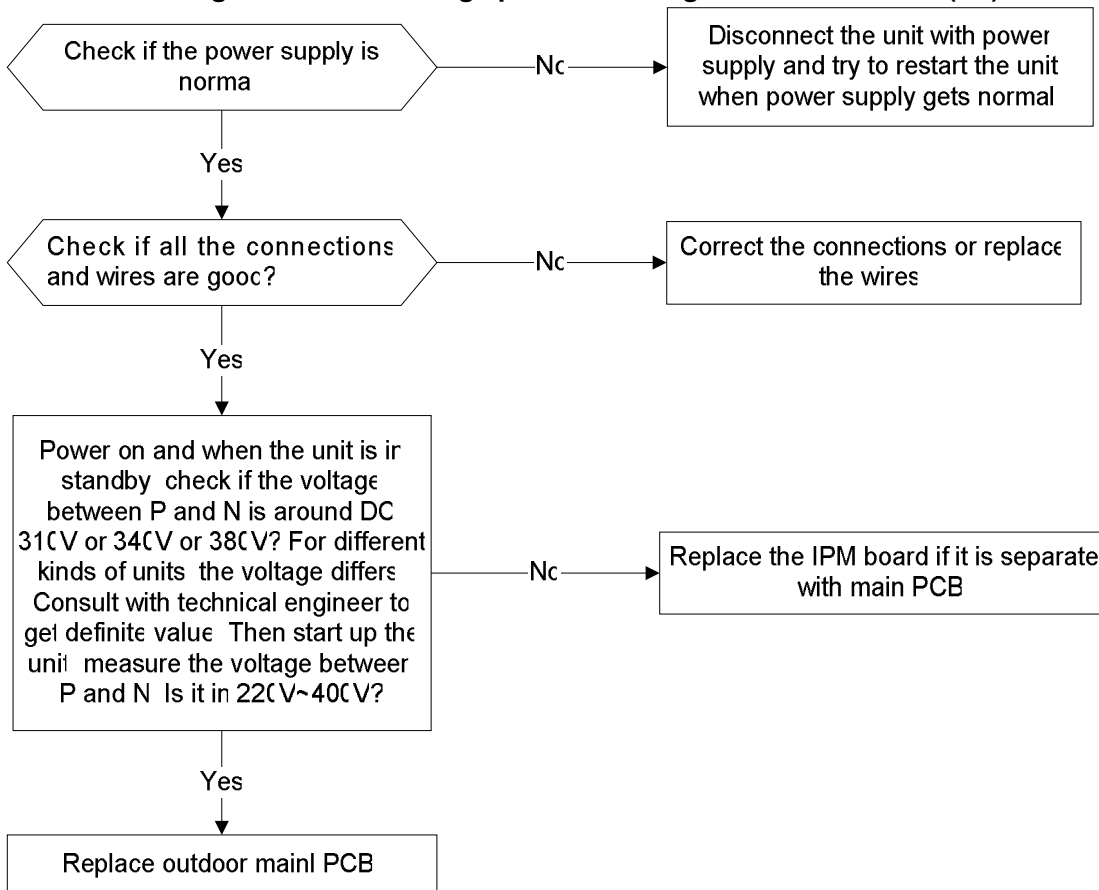
9.2.6 Refrigerant Leakage Detection diagnosis and solution (EC)



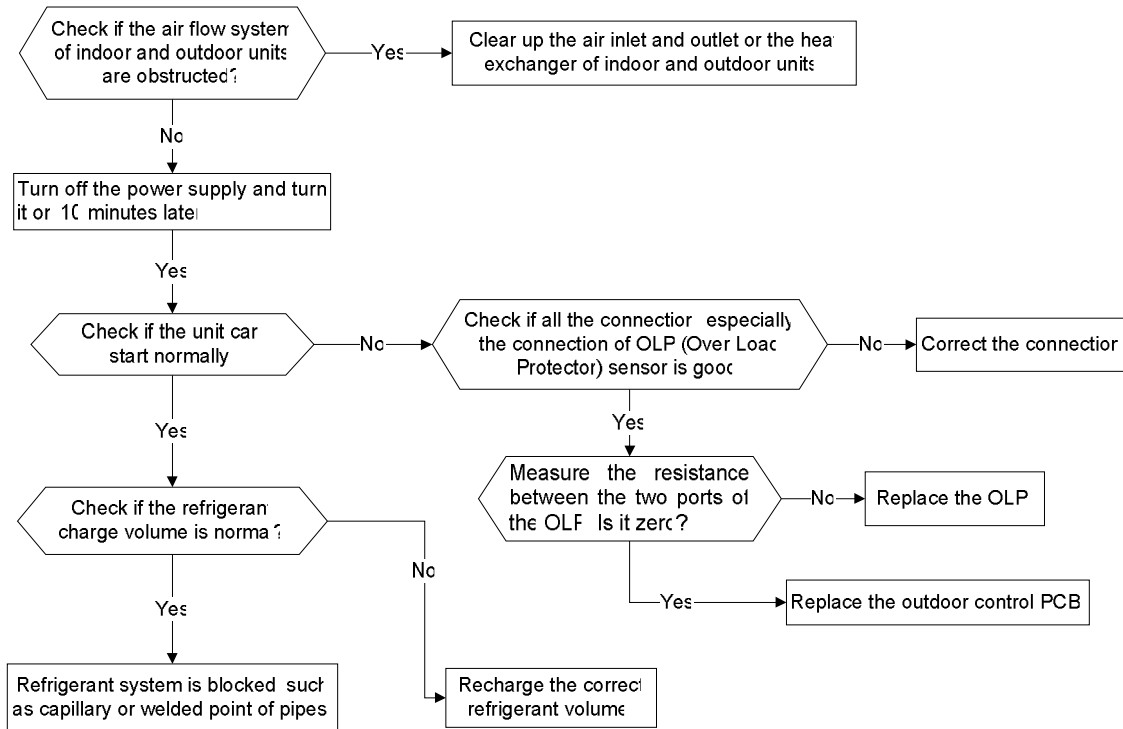
9.2.7 IPM malfunction or IGBT over-strong current protection diagnosis and solution(P0)



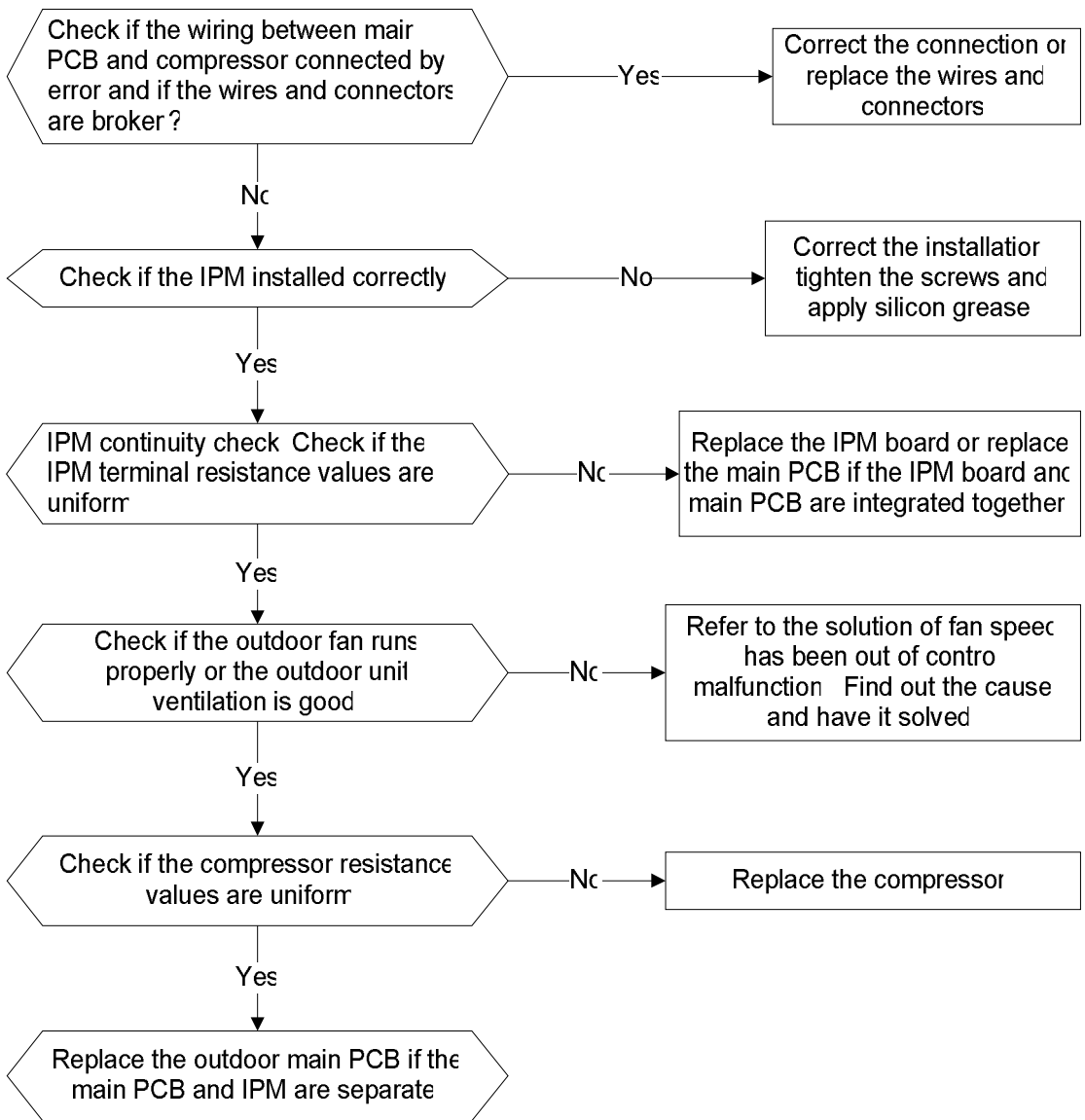
9.2.8 Over voltage or too low voltage protection diagnosis and solution(P1)



9.2.9 High temperature protection of compressor top diagnosis and solution(P2)

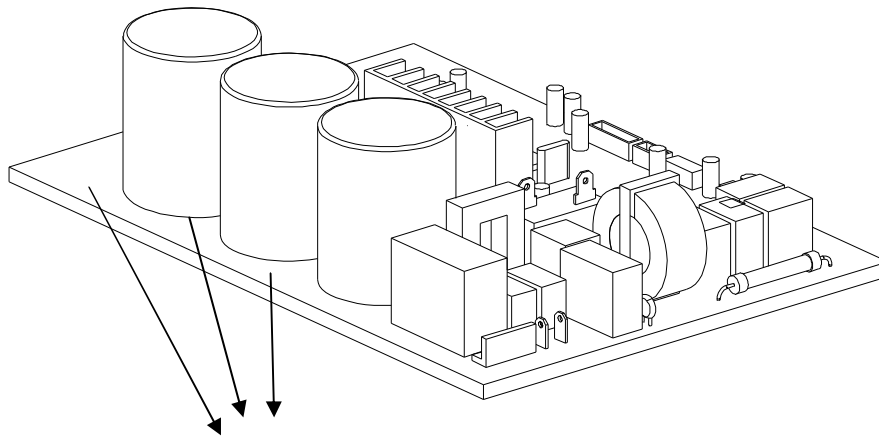


9.2.10 Inverter compressor drive error diagnosis and solution(P4)



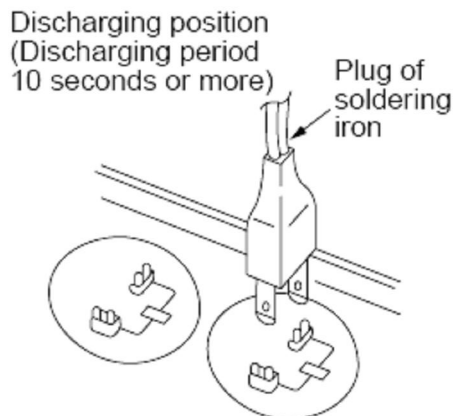
Safety

Electricity power is still kept in capacitors even the power supply is shut off. Do not forget to discharge the electricity power in capacitor.



**Electrolytic Capacitors
(HIGH VOLTAGE! CAUTION!)**

Connect discharge resistance (approx. 100Ω 40W) or soldering iron (plug) between +, - terminals of the electrolytic capacitor on the contrary side of the outdoor PCB.

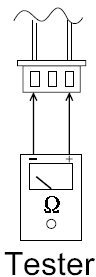


Note: The picture above is only for reference. The plug of your side may be different.

Main parts check

1. Temperature sensor checking

Disconnect the temperature sensor from PCB, measure the resistance value with a tester.



Tester

Temperature Sensors.

- Room temp.(T1) sensor,
 - Indoor coil temp.(T2) sensor,
 - Outdoor coil temp.(T3) sensor,
 - Outdoor ambient temp.(T4) sensor,
 - Compressor discharge temp.(T5) sensor.
- Measure the resistance value of each winding by using the multi-meter.

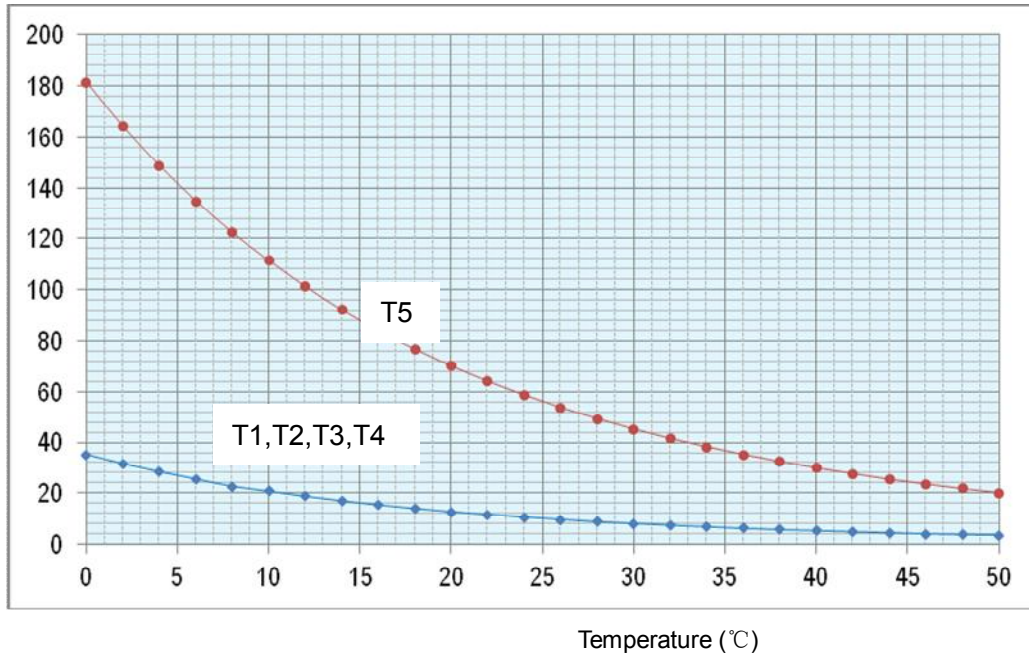
Table 1: Some frequently-used R-T data for T1,T2,T3 and T4 sensor:

Temperature (°C)	5	10	15	20	25	30	40	50	60
Resistance Value (KΩ)	26.9	20.7	16.1	12.6	10	8	5.2	3.5	2.4

Table 2: Some frequently-used R-T data for T5 sensor:

Temperature (°C)	5	15	25	35	60	70	80	90	100
Resistance Value (KΩ)	141.6	88	56.1	36.6	13.8	9.7	6.9	5	3.7

Resistance value (KΩ)



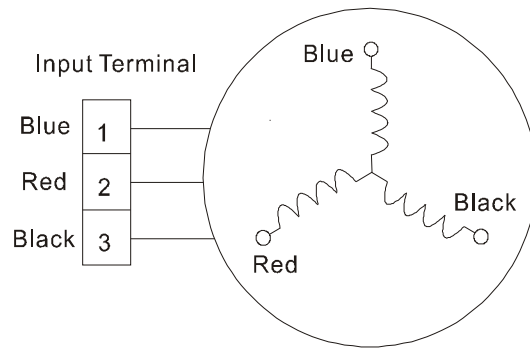
Spec.

Code	2T0032300888	2T0032400274
Model	FSAI-Pro-92AE2	FSAI-Pro-122AE2
Compressor	ASN108D22UEZ	ASN108D22UEZ
Indoor fan motor	RPG20E	RPG20E
Outdoor fan motor	WZDK36-38G-W (★)	WZDK36-38G-W (★)

Note: The motor marked “★” means DC fan motor with control chip in the PCB while the one marked “☆” means DC fan motor with control chip in the fan motor.

2. Compressor checking

Measure the resistance value of each winding by using the tester.



Position	Resistance Value			
	ASN108D22UEZ	DA130M1C-31FZ	DA150S1C-20FZ	ASN108D22UEZ
Blue - Red	1.5Ω (20°C)	1.77Ω (20□)	0.95Ω (20□)	1.5Ω (20°C)
Blue - Black				
Red - Blue				

3. IPM continuity check

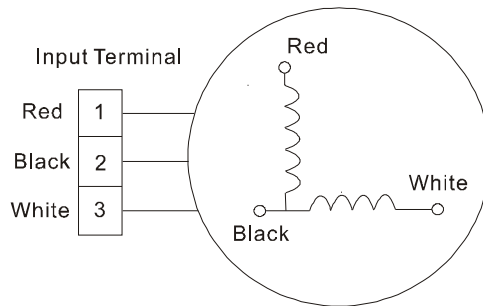
Turn off the power, let the large capacity electrolytic capacitors discharge completely, and dismount the IPM. Use a digital tester to measure the resistance between P and UWN; UVW and N.

Digital tester		Normal resistance value
(+)Red	(-)Black	∞ (Several M Ω)
P	N	
	U	
	V	
	W	

Digital tester		Normal resistance value
(+)Red	(-)Black	∞ (Several M Ω)
U	N	
V		
W		

4. Indoor AC Fan Motor

Measure the resistance value of each winding by using the tester.



Position	Resistance Value			
	RPG20E		RPG45C	
Black - Red	430 Ω \pm 8% (20 $^{\circ}$ C) (Brand: Dayang)	388 Ω \pm 8% (20 $^{\circ}$ C) (Brand: Weiling)	175 Ω \pm 8% (20 $^{\circ}$ C) (Brand: Dayang)	168 Ω \pm 8% (20 $^{\circ}$ C) (Brand: Weiling)
White - Black	370 Ω \pm 8% (20 $^{\circ}$ C) (Brand: Dayang)	360 Ω \pm 8% (20 $^{\circ}$ C) (Brand: Weiling)	105 Ω \pm 8% (20 $^{\circ}$ C) (Brand: Dayang)	141 Ω \pm 8% (20 $^{\circ}$ C) (Brand: Weiling)